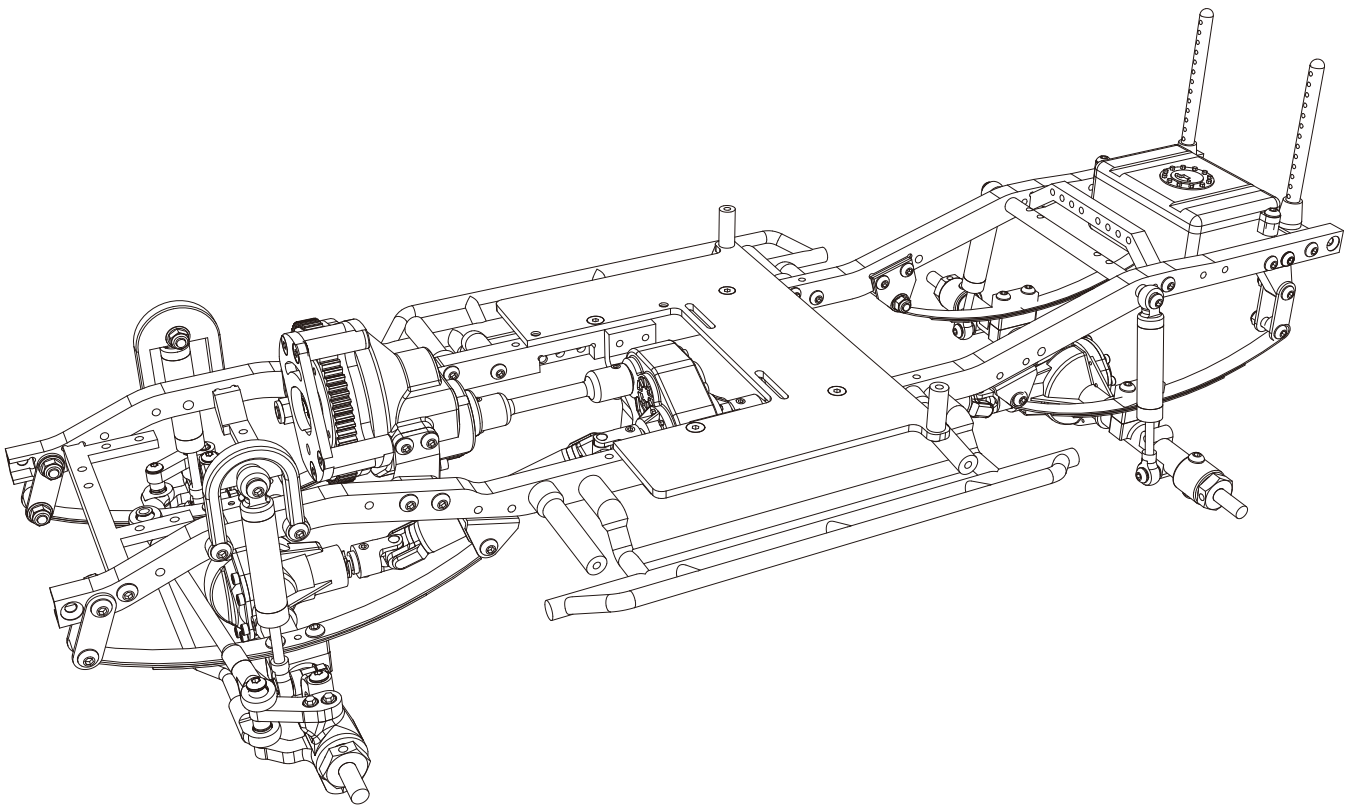
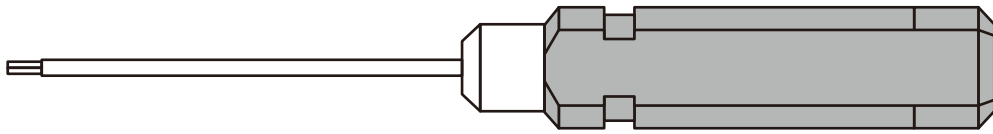


# TRAIL FINDER 2 LWB

1/10 SCALE BUILDERS KIT



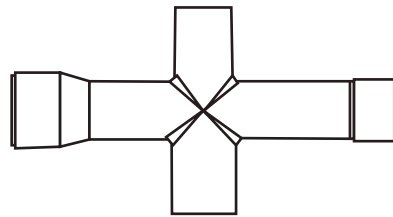
## ***Recommended Tools***



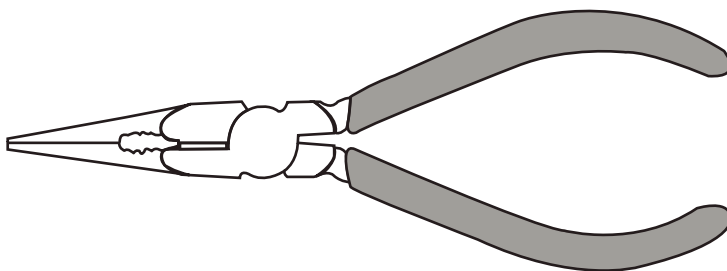
Hex Drivers (1.5mm, 2mm, 2.5mm)



Thread Lock



Cross Wrench



Long Nose Pliers

## ***Tips for Assembly***

Use good quality hex drivers to avoid stripping screw heads.

Use thread lock when putting metal screws into metal parts.

Use thread lock sparingly.

Do not over tighten screws otherwise you may strip the thread.

# Warranty

RC4WD non-electrical products are warranted to be free of defects in materials and workmanship when new. Our limited warranty does not cover damages due to normal wear and tear, user error of assembly or installation, user modifications, user's failure to perform routine maintenance, addition of aftermarket parts or option parts. This warranty lasts 30 days after arrival for original purchaser.

In the event of a defect under this warranty, RC4WD will, at our discretion, replace the product, provided our inspection indicates that an original defect exists. RC4WD reserves the right to replace any product which is no longer available with a product of comparable value and function. If RC4WD determines the repair is not covered under warranty guidelines, we will contact you to discuss your options. If you have any questions, please contact us via email at [support@rc4wd.com](mailto:support@rc4wd.com).

RC4WD warrants its electronics for 30 days from date of arrival. This covers all electrical items except items that are already noted on the individual product page.

Los productos no eléctricos RC4WD están garantizados como libres de defectos en materiales y mano de obra cuando son nuevos. Nuestra garantía limitada no cubre los daños debidos al desgaste normal, a errores de montaje o instalación por parte del usuario, a modificaciones del usuario, a la falta de mantenimiento rutinario por parte del usuario, a la adición de piezas de recambio o a piezas opcionales. Esta garantía dura 30 días después de la fecha de entrega para el comprador original.

En el caso de un defecto bajo esta garantía, RC4WD, a nuestra discreción, reemplazará el producto, siempre que nuestra inspección indique que existe un defecto original. RC4WD se reserva el derecho de sustituir cualquier producto que ya no esté disponible por otro de valor y función comparables. Si RC4WD determina que la reparación no está cubierta por la garantía, nos pondremos en contacto con usted para discutir sus opciones. Si tiene alguna pregunta, por favor contáctenos por correo electrónico a [support@rc4wd.com](mailto:support@rc4wd.com).

RC4WD garantiza su electrónica por 30 días a partir de la fecha de entrega. Esto cubre todos los artículos eléctricos, excepto los que ya están anotados en la página del producto individual.

Les produits non électriques RC4WD sont garantis comme étant exempts de défauts de matériaux et de fabrication lorsqu'ils sont neufs. La garantie limitée ne couvre pas les dommages dus à l'usure normale, aux erreurs de montage ou d'installation de l'utilisateur, aux modifications apportées par l'utilisateur, au défaut d'entretien courant de l'utilisateur, à l'ajout de pièces de rechange ou de pièces optionnelles. Cette garantie dure 30 jours à compter de la date d'arrivée de l'acheteur initial.

En cas de défaut au titre de cette garantie, RC4WD remplacera, à notre discrétion, le produit, à condition que notre inspection indique qu'il s'agit d'un défaut d'origine. RC4WD se réserve le droit de remplacer tout produit indisponible par un produit de valeur et de fonction comparables. Si RC4WD détermine que la réparation n'est pas couverte par les directives de garantie, nous vous contacterons pour discuter des possibilités qui s'offrent à vous. Si vous avez des questions, veuillez nous contacter par courriel à [support@rc4wd.com](mailto:support@rc4wd.com).

RC4WD garantit ses appareils électroniques pendant 30 jours à compter de la date d'arrivée. Cette garantie couvre tous les articles électriques, à l'exception de ceux qui sont déjà mentionnés sur la page de chaque produit.

Alle RC4WD, nicht elektrischen Produkte" sind garantiert frei von Materialfehlern durch die Produktion und Verarbeitung. Die Garantie deckt nicht Schäden aufgrund normaler Abnutzung, Benutzerfehler bei der Montage oder Installation, Änderungen durch den Benutzer, unterlassen der routinemäßigen Wartung durch den Benutzer, hinzufügen von Fremdteilen oder Optionsteile. Diese Garantie beträgt 30 Tage nach Kauf und Erhalt der Ware durch den Käufer. Im Falle eines Mangels im Rahmen dieser Garantie, wird RC4WD nach Ermessen und sofern nach einer Kontrolle ein ursprünglicher Defekt vorliegt, das Produkt austauschen.

RC4WD behält sich das Recht vor, Produkte die nicht mehr erhältlich sind, mit einem gleichwertigem Produkt mit vergleichbarer Funktion zu tauschen.

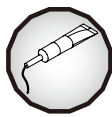
Wenn die Reklamation nicht mehr unter der Garantie fällt, wird Sie RC4WD für weitere Lösungen kontaktieren. Bei Fragen kontaktieren Sie uns bitte per E-Mail unter [support@rc4wd.com](mailto:support@rc4wd.com).



## *Instruction Manual Symbols Key*



Apply Thread Lock



Apply Grease



Glue



Trim with Hobby Knife



CA Glue



Remove



Cut with Scissors



Repeat or Build Multiple



Build Right and Left



Paint



Attention



Build Front and Rear

## *Tips for Assembly*

- Use good quality hex drivers to avoid stripping screw heads.
- Open kit bags in order of assembly steps.
- Use “Step” index for quantity and size of hardware to be used for assembly.
- Do not over tighten screws.
- Use thread lock sparingly on metal parts.

### **Recommendations for building your RC4WD Trail Finder 2 Truck Kit LWB**

1. Carefully remove all parts from bags and sort them. Make sure to use threadlock on all screws in aluminum.
2. Do not over-tighten screws. Stripping screw heads and holes during assembly can happen if you are using too much force.

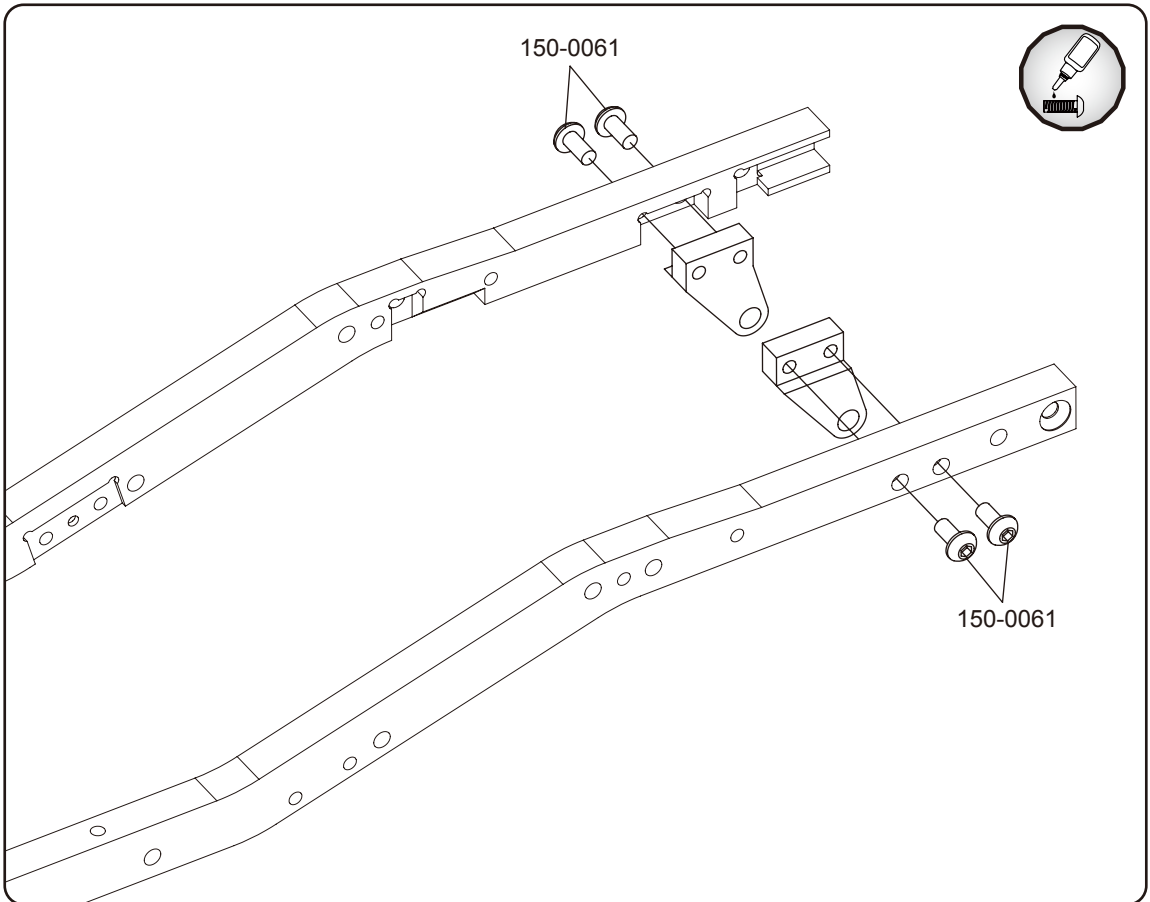




# RC4WD

## Step 1

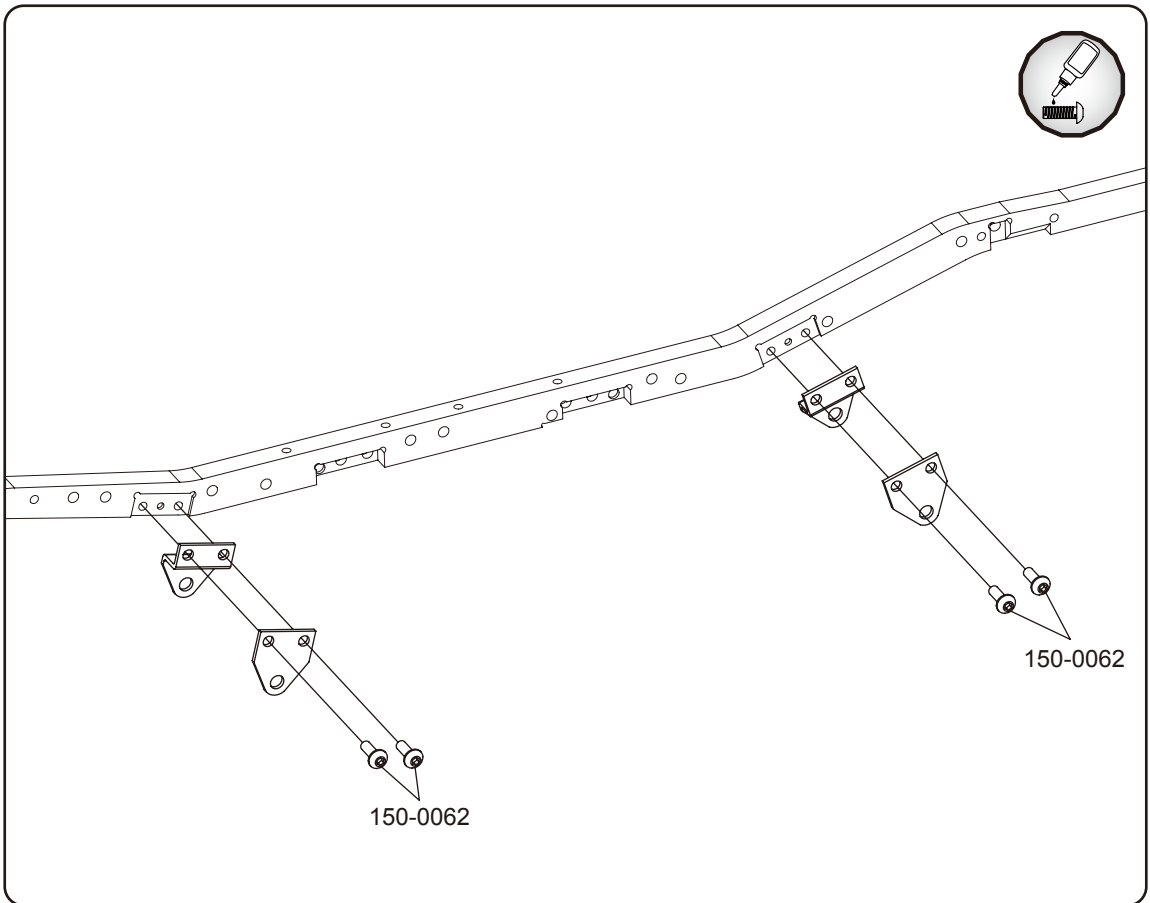
 X4  
150-0061  
M3 x 6mm BHCS



# RC4WD

## Step 2

 X4  
150-0062  
M3 x 8mm BHCS

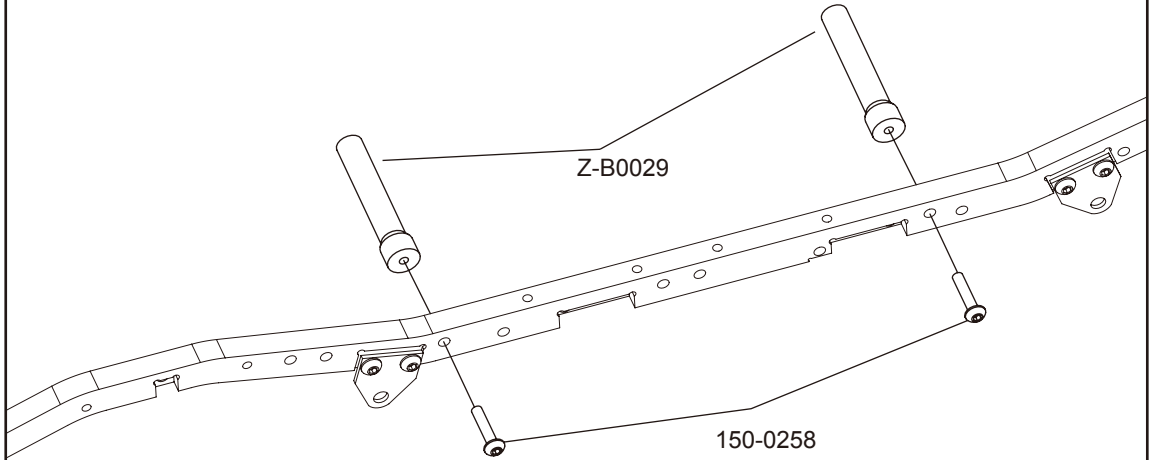


### RC4WD Step 3


 X4  
150-0258  
M3 x 12mm BHSTS



Z-B0029 is included in this set. The following is an installation demonstration. You can choose whether to install it according to your needs. It's compatible with Mojave II Four Door Body Set.

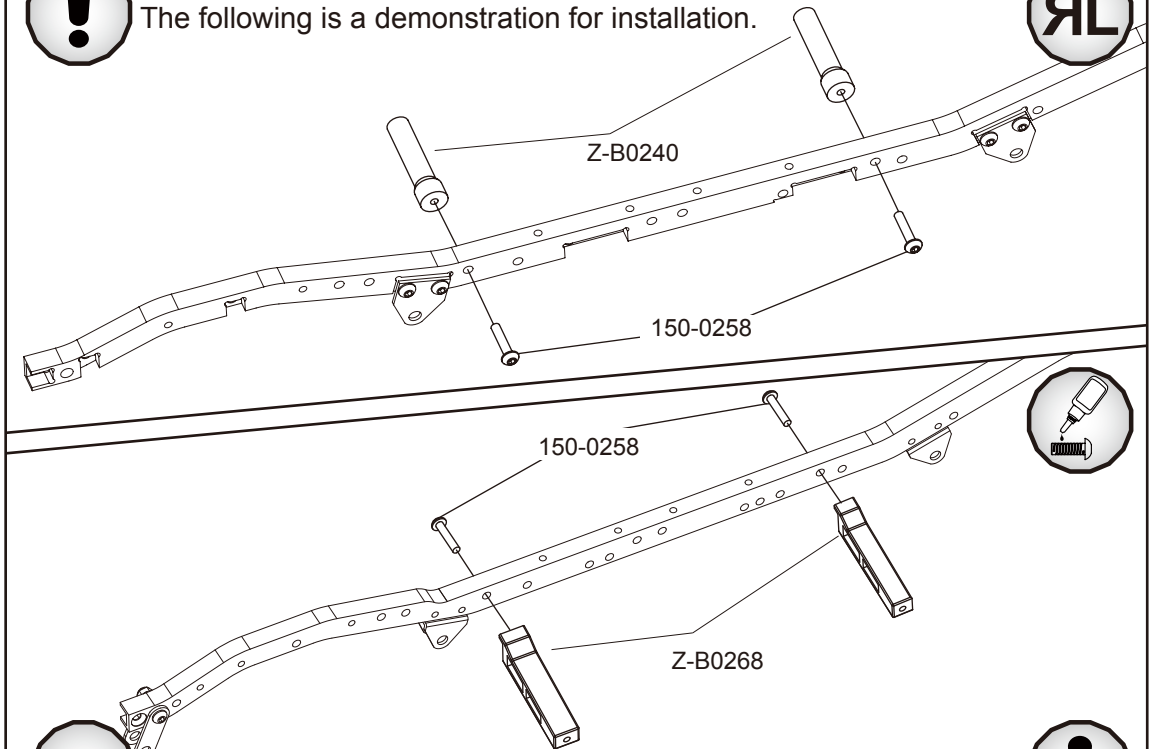


### RC4WD Step 4

 X4  
150-0258  
M3 x 12mm BHSTS



Z-B0240 is included in the 1987 Toyota XtraCab Hard Body Set. The following is a demonstration for installation.




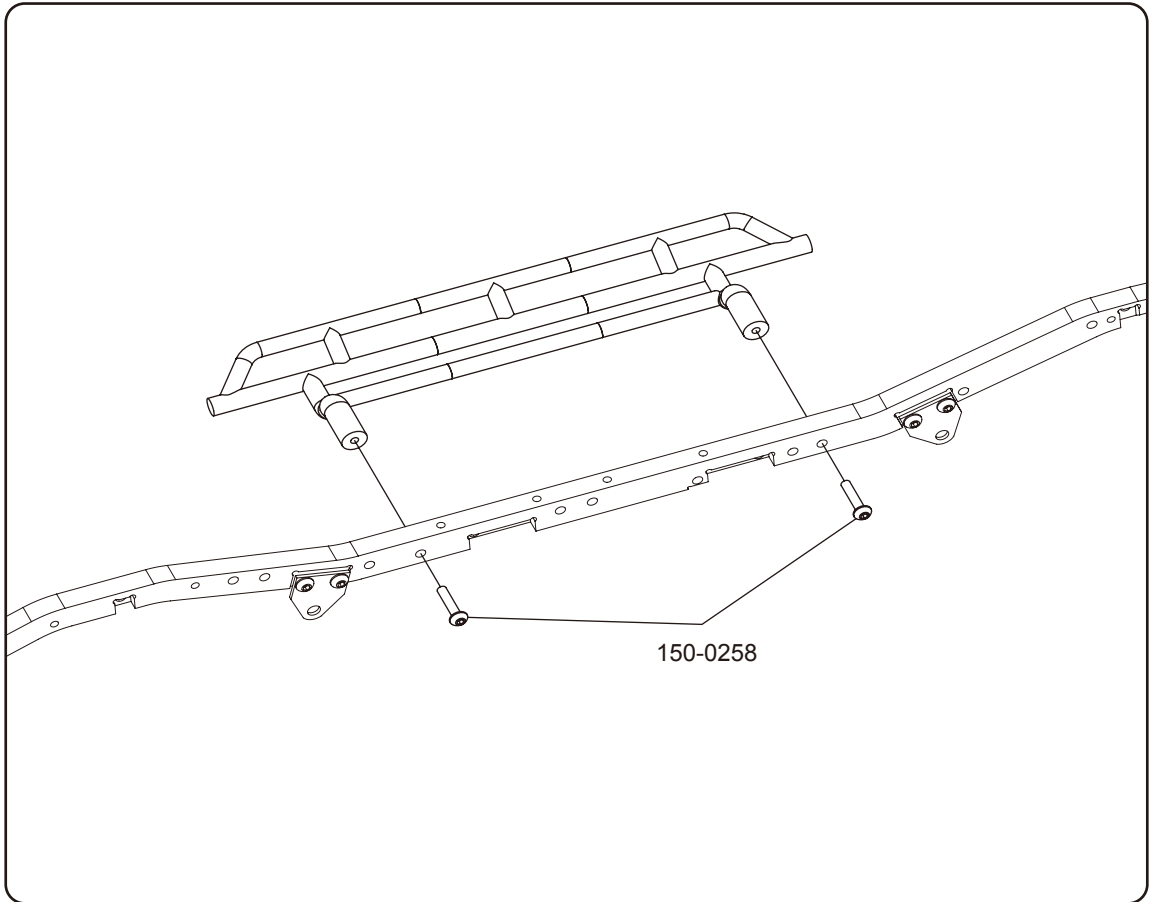
Z-B0268 is included in the RC4WD Chevrolet K10 Scottsdale Hard Body Complete Set. The following is a demonstration for installation.



# RC4WD


## Step 5

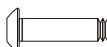
 X2  
150-0258  
M3 x 12mm BHSTS

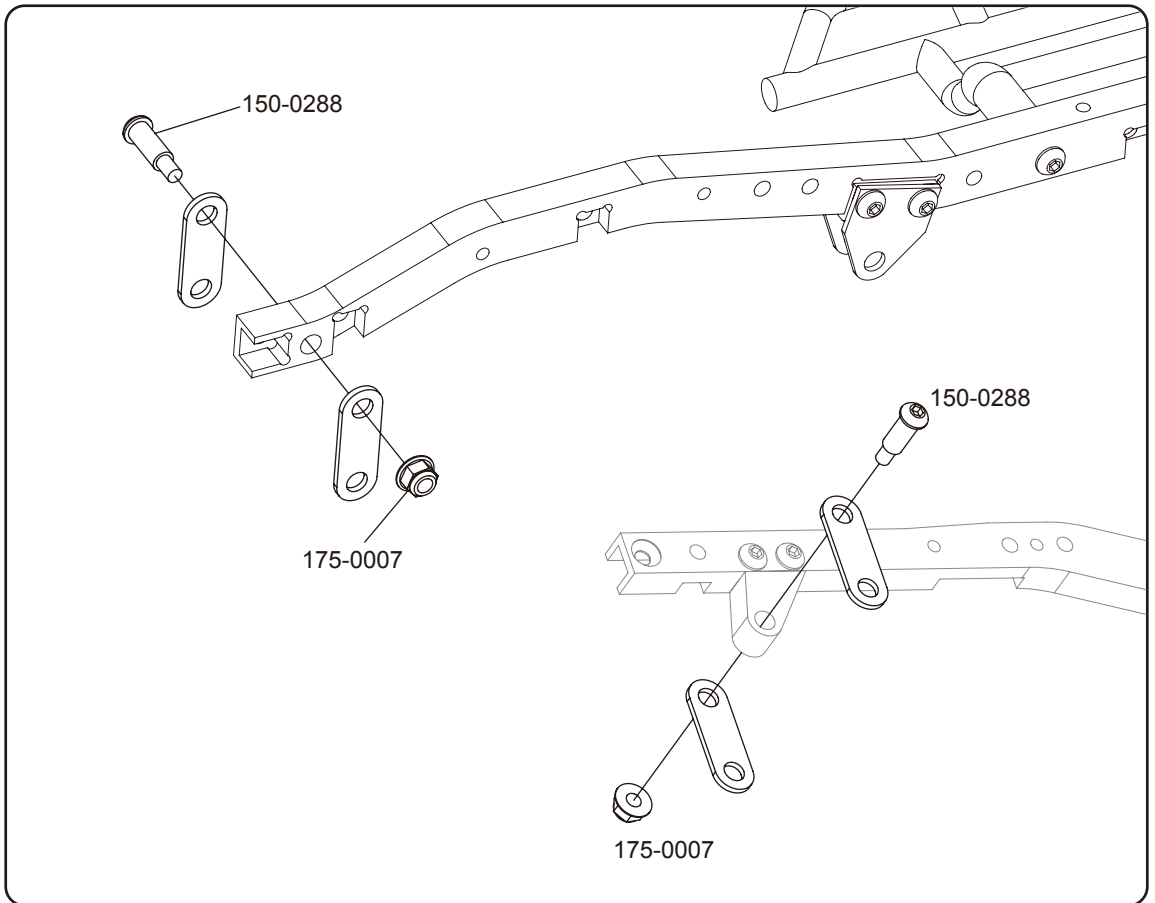


# RC4WD

## Step 6


 X2  
175-0007  
M3 Black Lock Nut

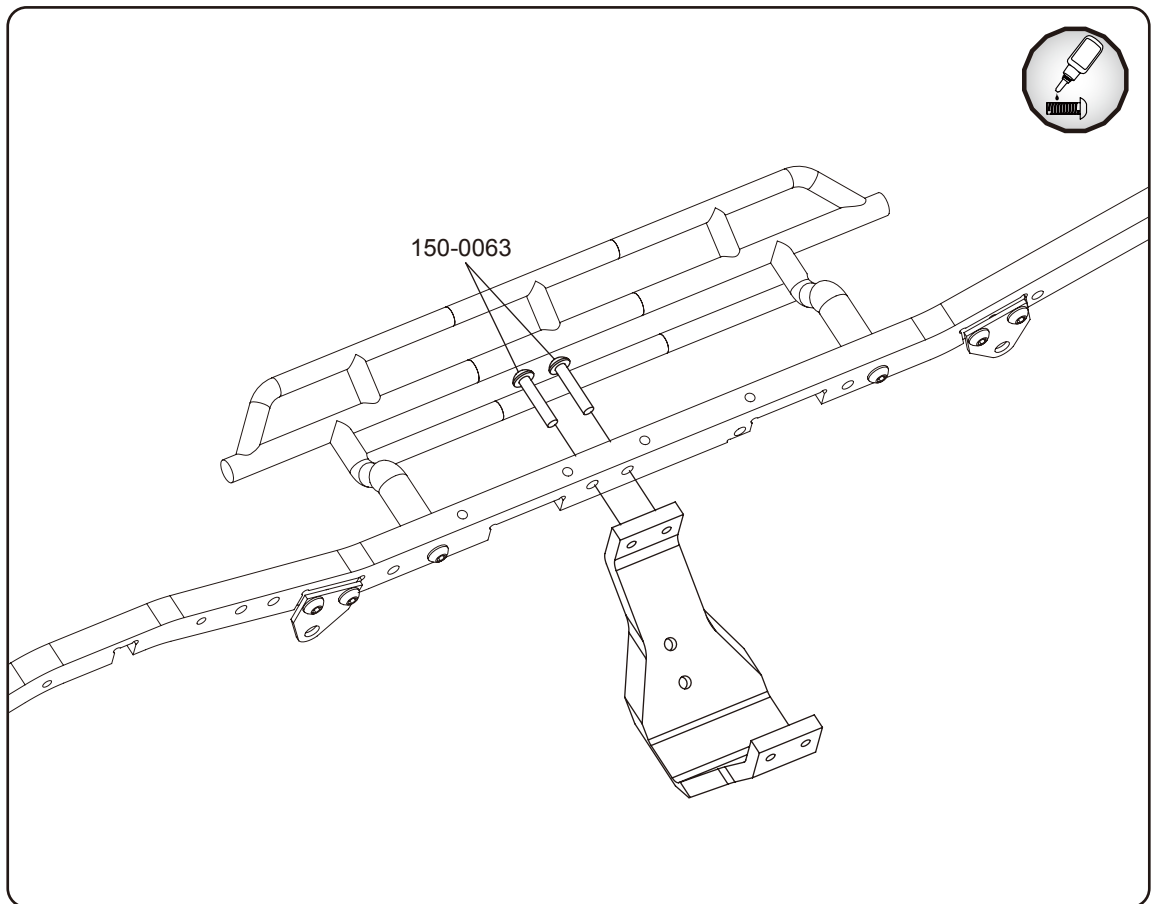
 X2  
150-0288  
M3 x 15mm  
Shoulder Screw



# RC4WD


## Step 7

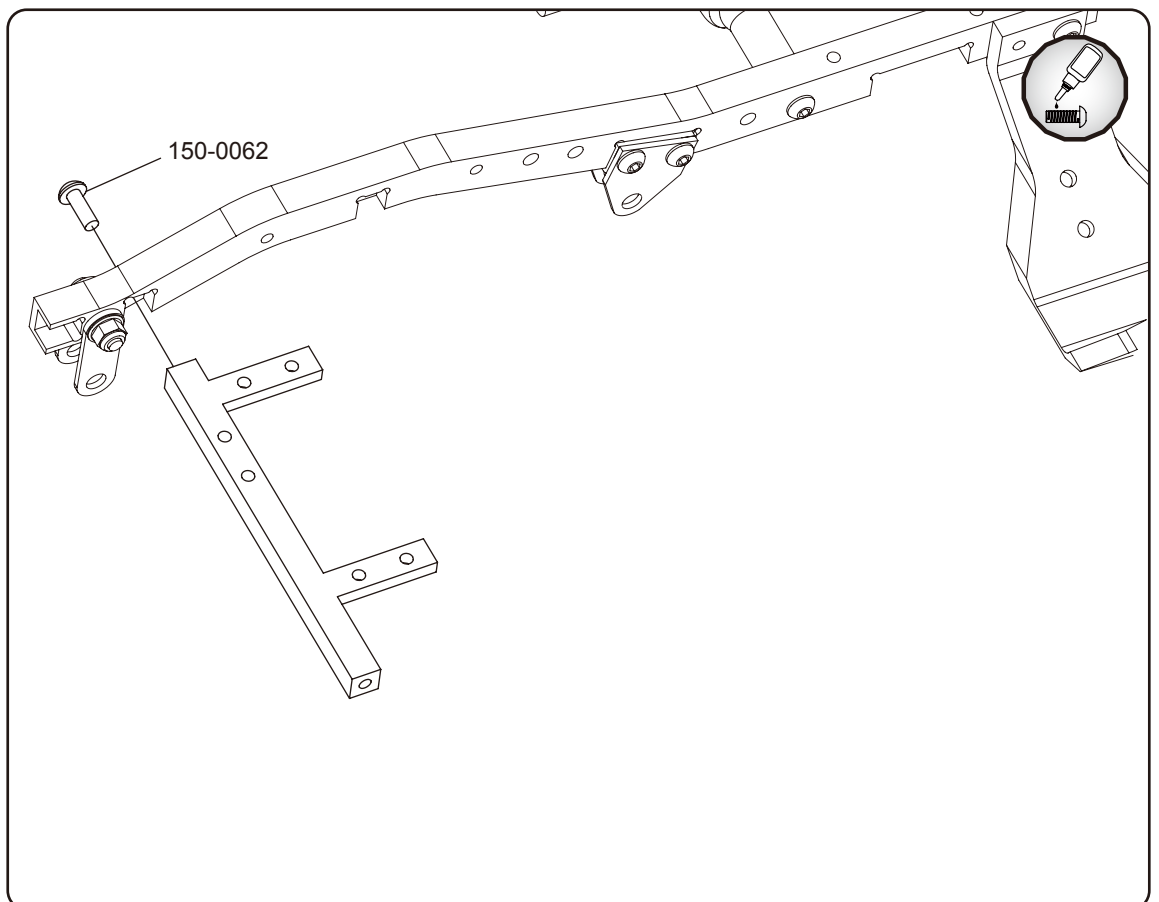
 X2  
150-0063  
M3 x 10mm BHCS




# RC4WD

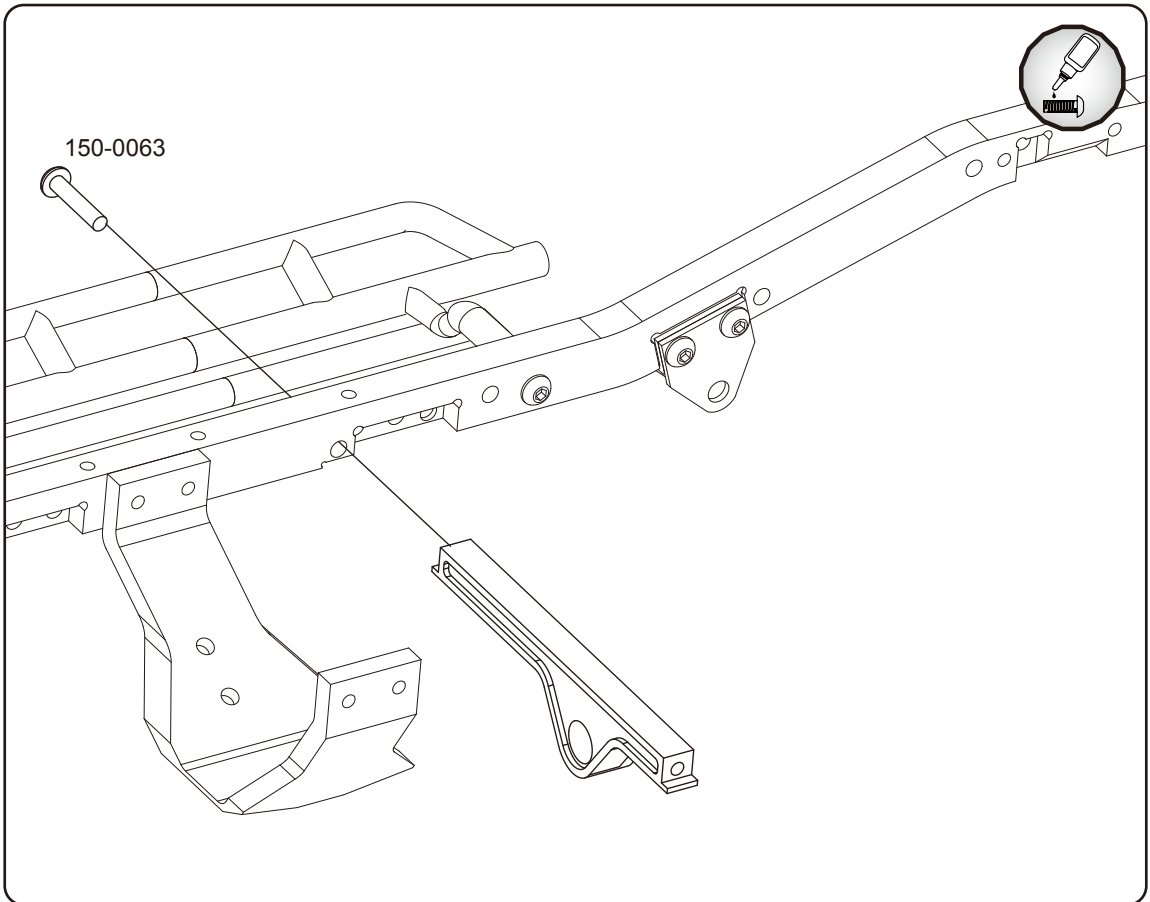
## Step 8

 X1  
150-0062  
M3 x 8mm BHCS




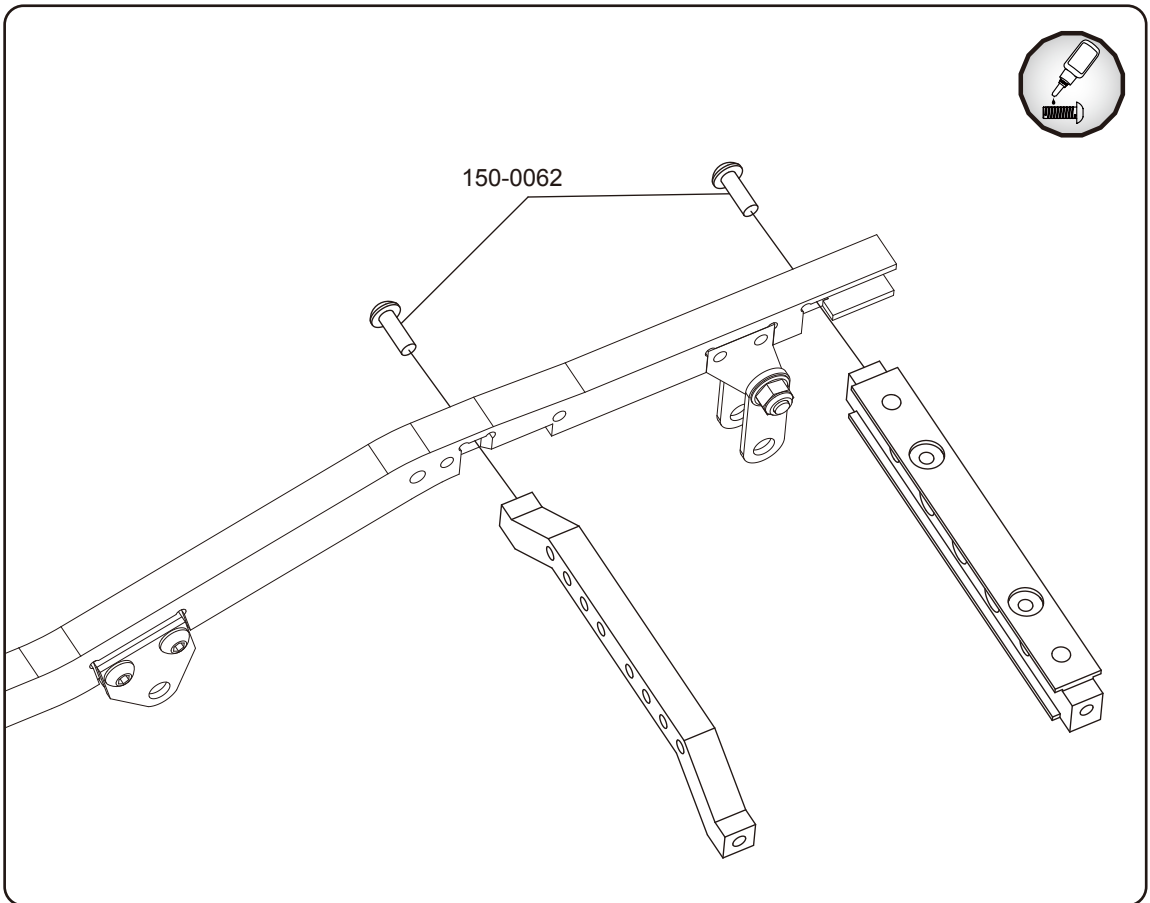
**RC4WD**  
**Step 9**

 X1  
150-0063  
M3 x 10mm BHCS





**RC4WD**  
**Step 10**

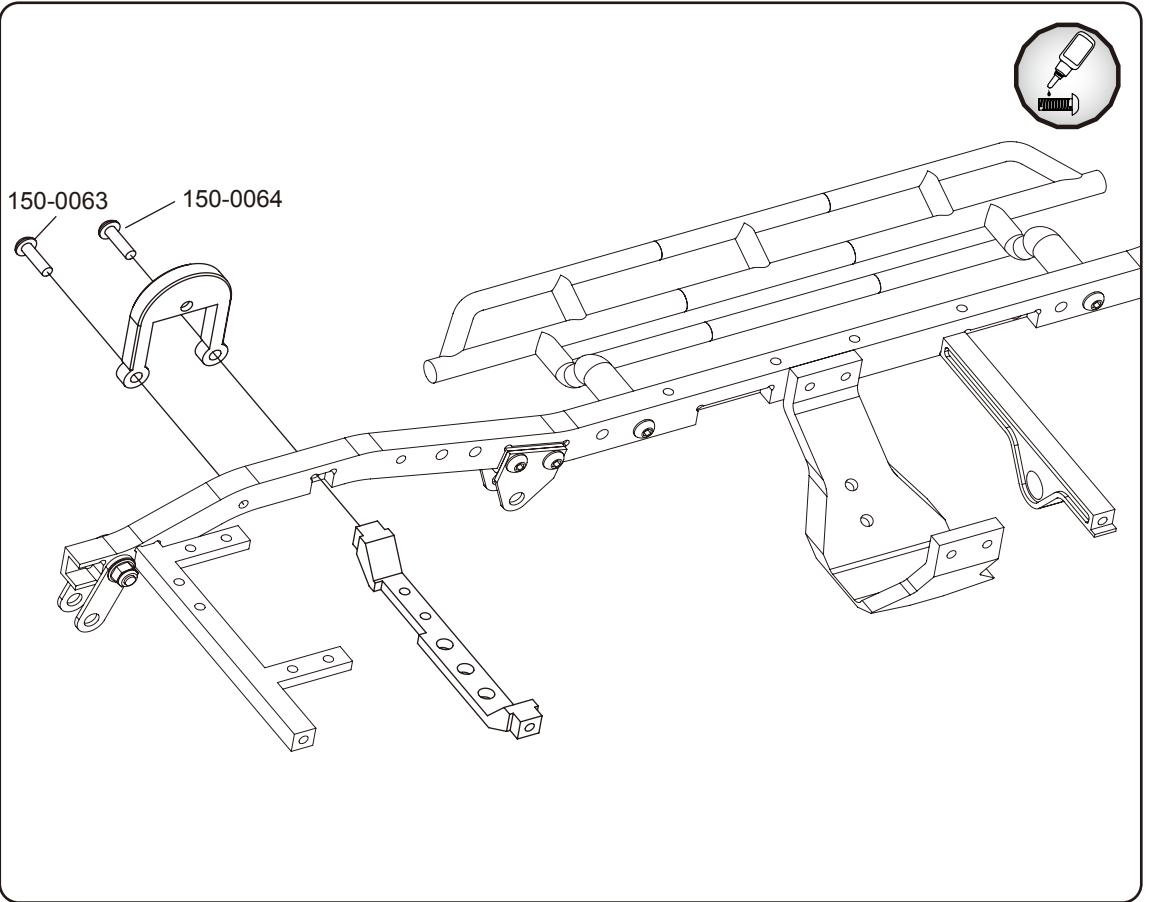
 X2  
150-0062  
M3 x 8mm BHCS



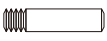
# RC4WD Step 11

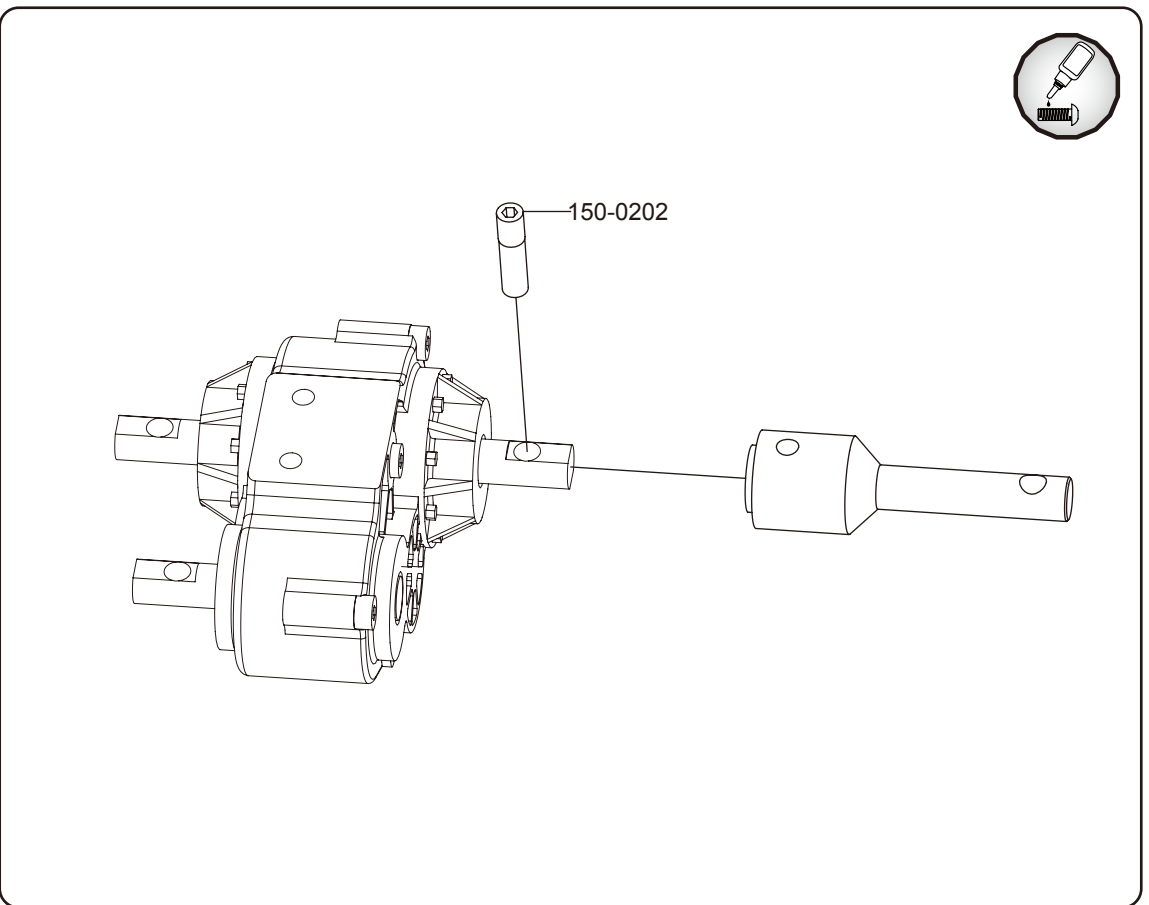
 X1  
150-0063  
M3 x 10mm BHCS

 X1  
150-0064  
M3 x 12mm BHCS




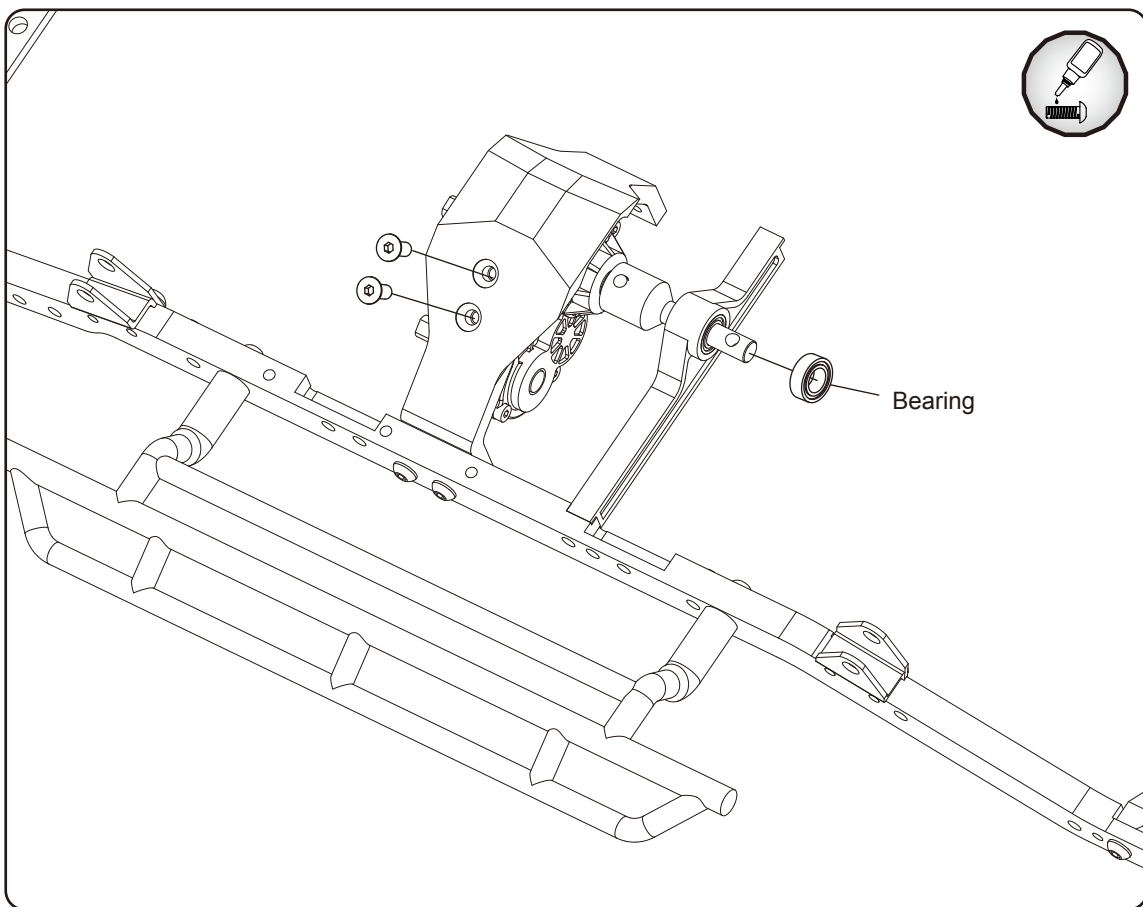
# RC4WD Step 12

 X1  
150-0202  
M3 Drive Shaft Pin




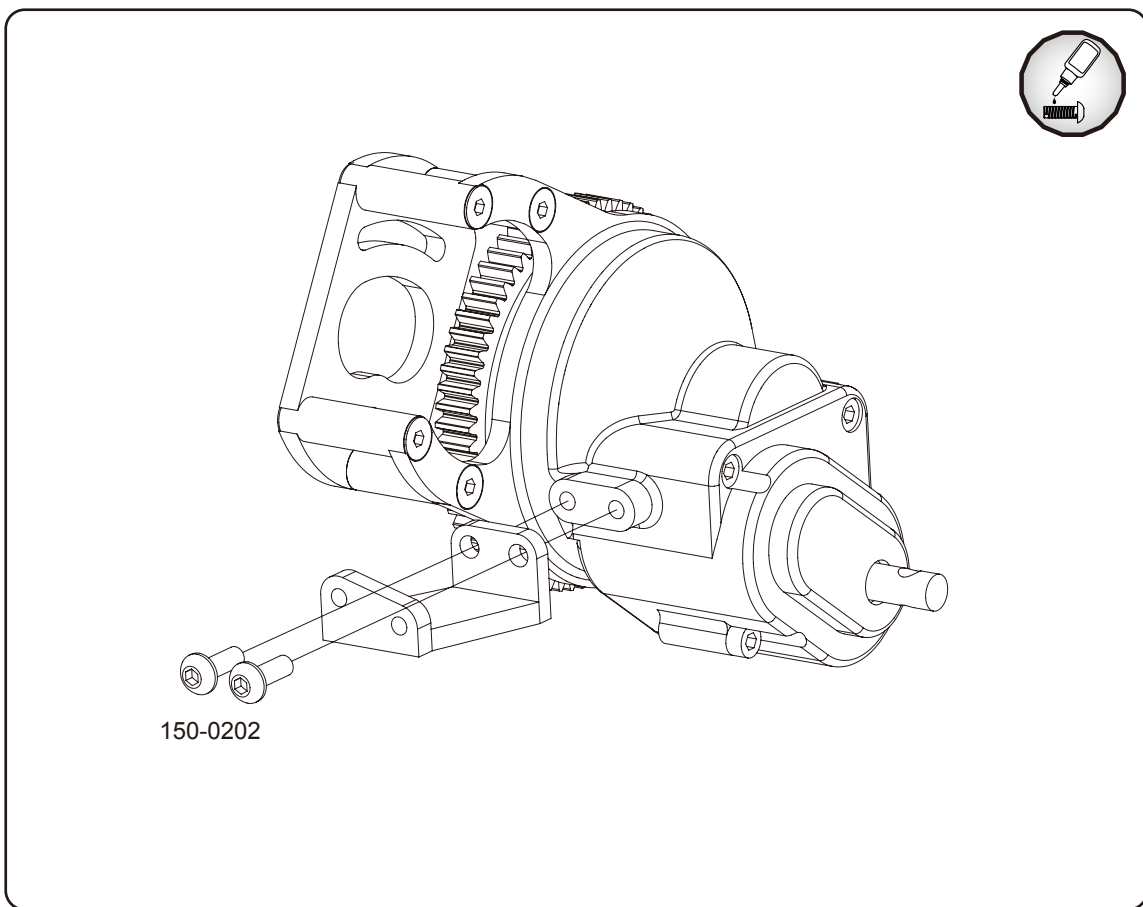
# RC4WD Step 13

 X2  
150-0100  
M3 x 8mm FHCS



# RC4WD Step 14

 X2  
150-0062  
M3 x 8mm BHCS

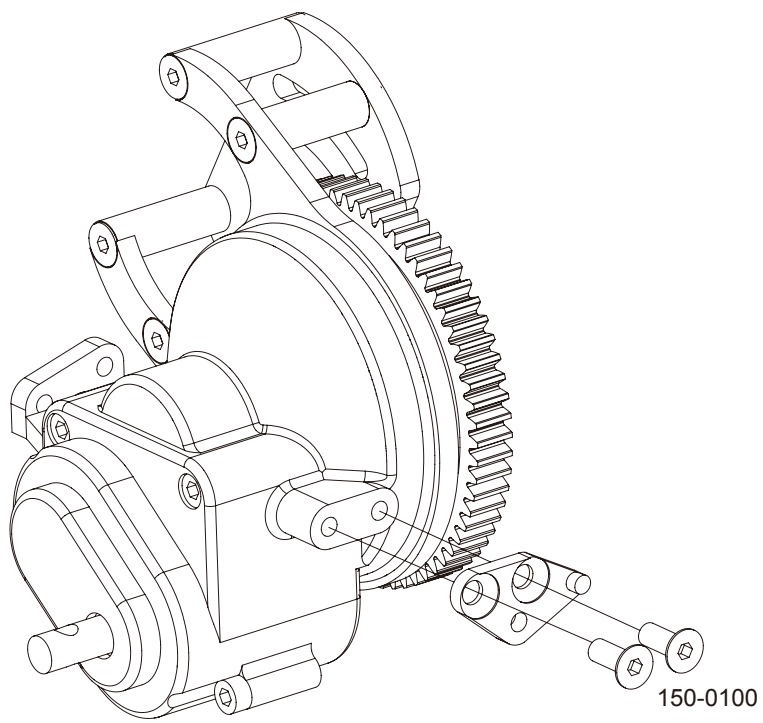


# RC4WD Step 15



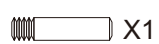
X2

150-0100  
M3 x 8mm FHCS



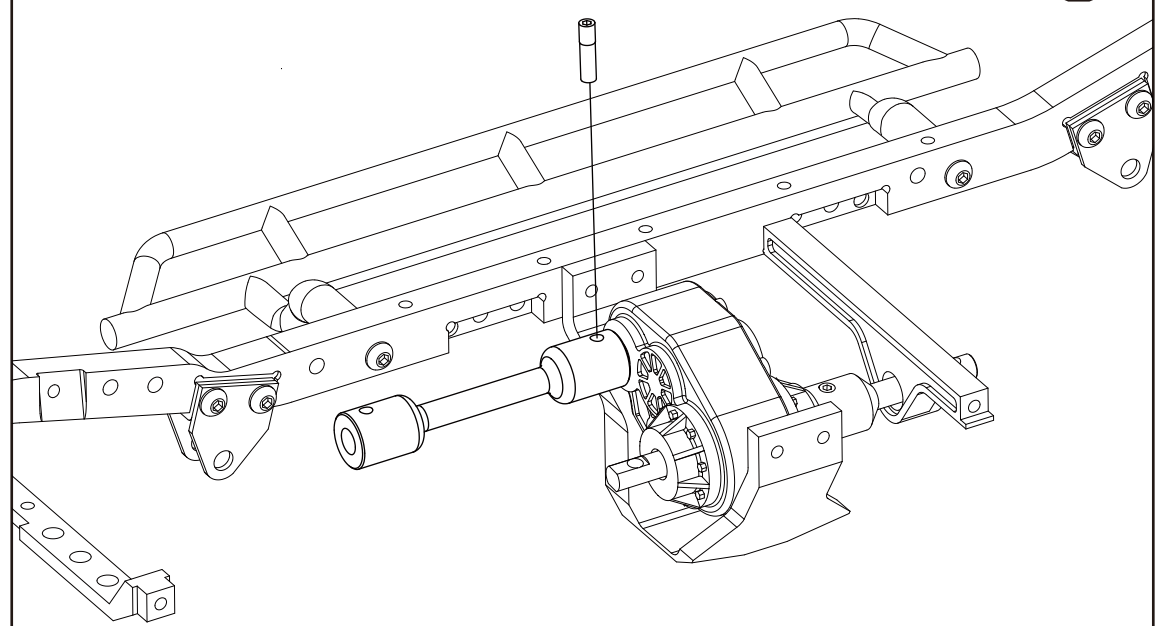
150-0100

# RC4WD Step 16




X1

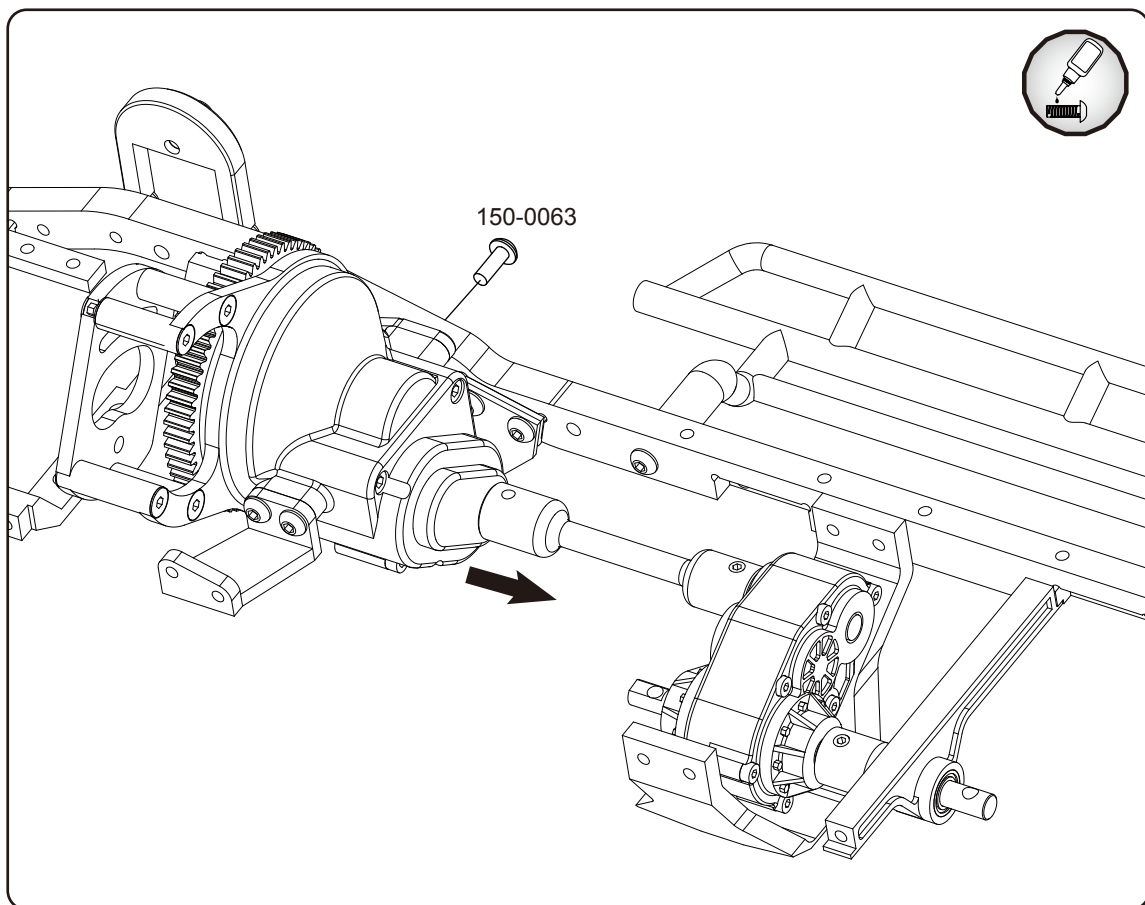
150-0202  
M3 Drive Shaft Pin





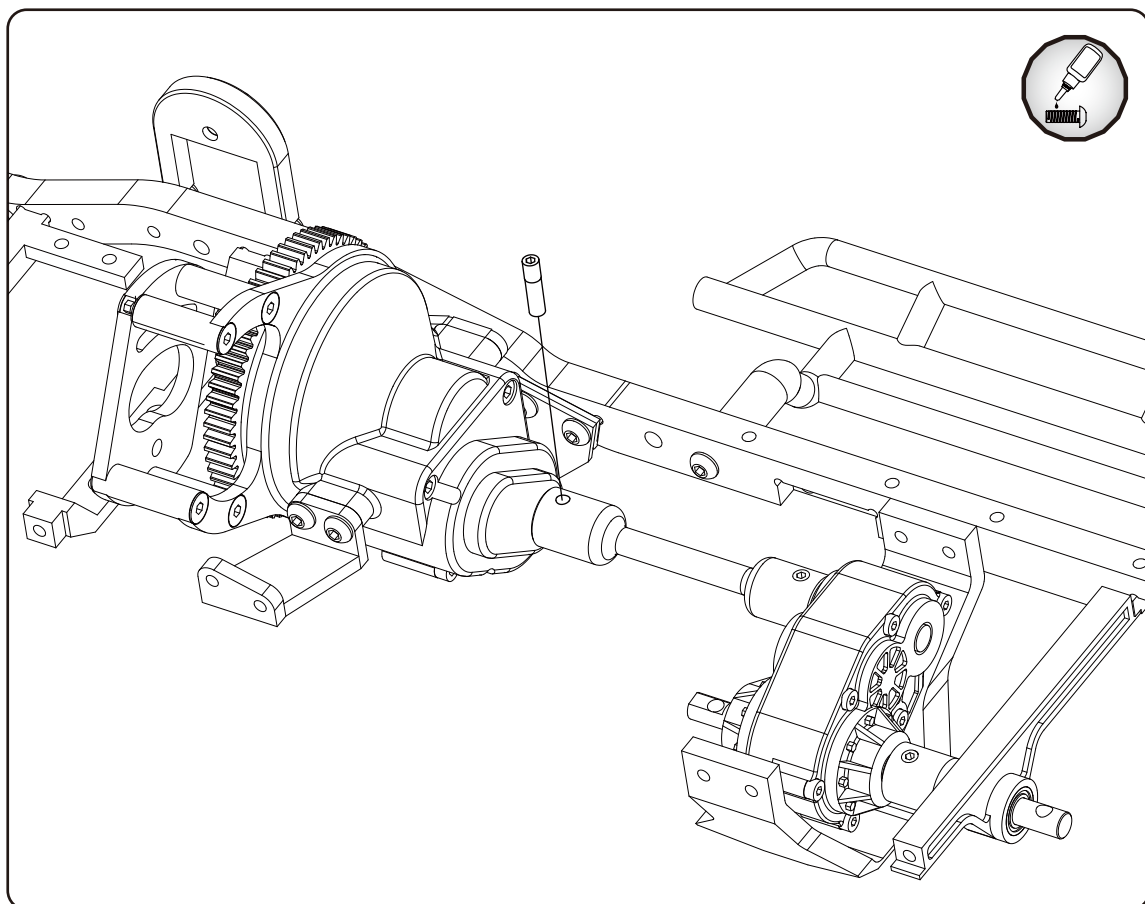
# RC4WD Step 17

 X1  
150-0063  
M3 x 10mm BHCS




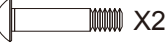
# RC4WD Step 18

 X1  
150-0202  
M3 Drive Shaft Pin

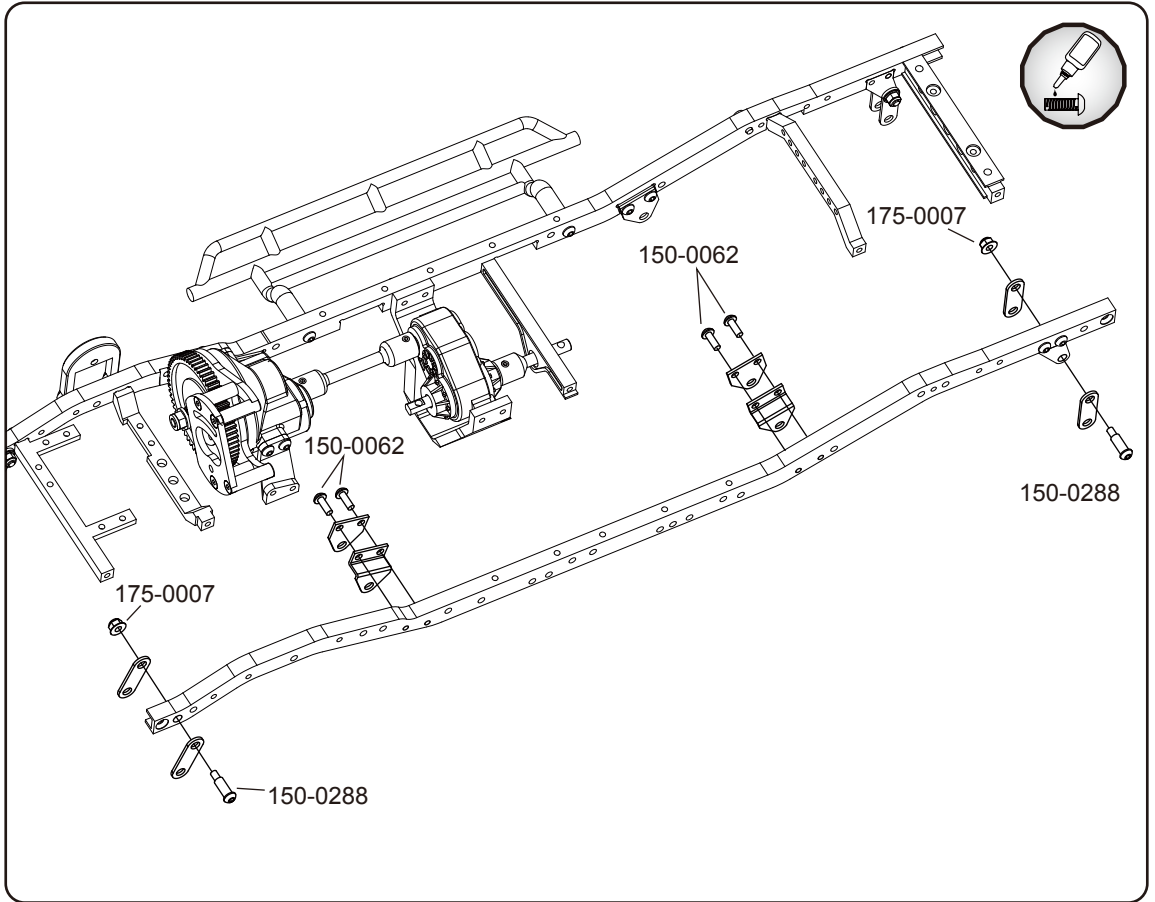


# RC4WD Step 19


 X4  
150-0062  
M3 x 8mm BHCS

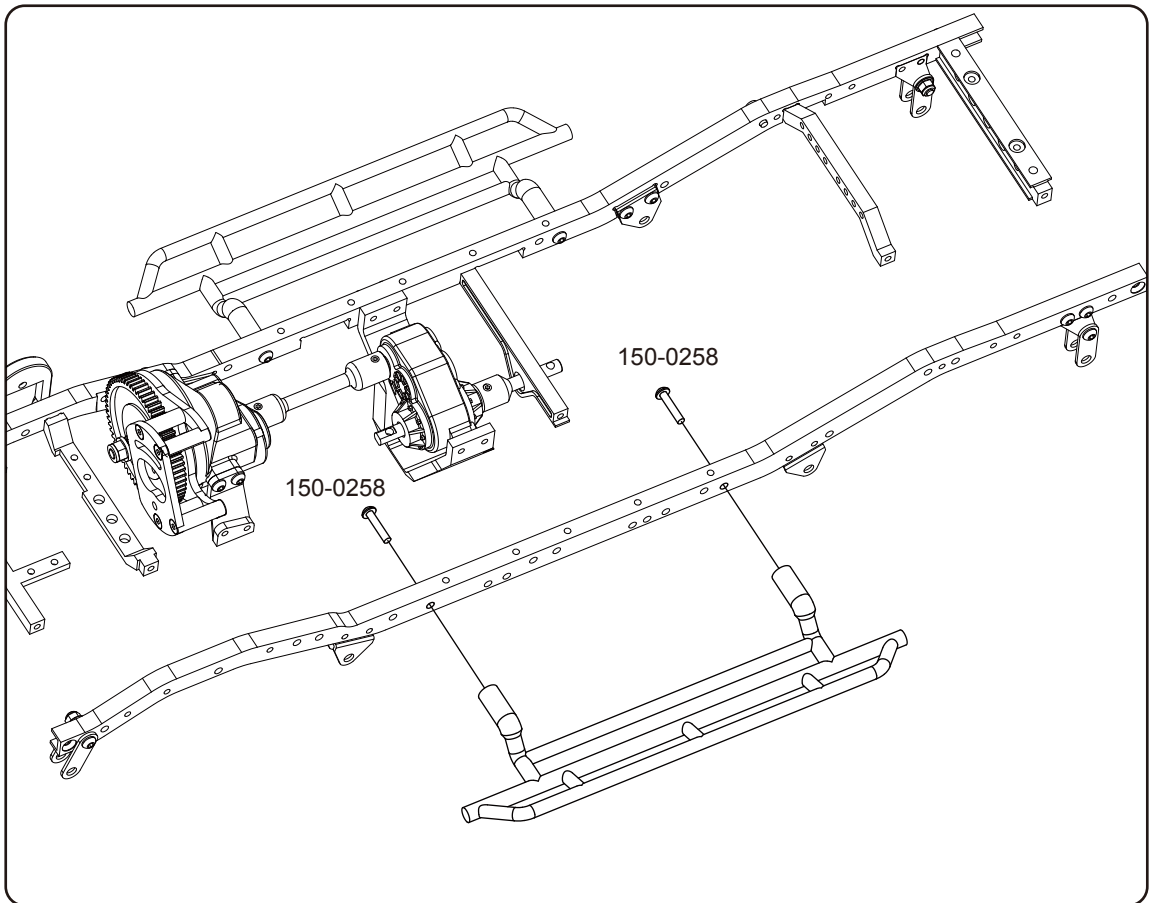
 X2  
150-0288  
M3 x 15mm  
Shoulder Screw

 X2  
175-0007  
M3 Black Lock Nut




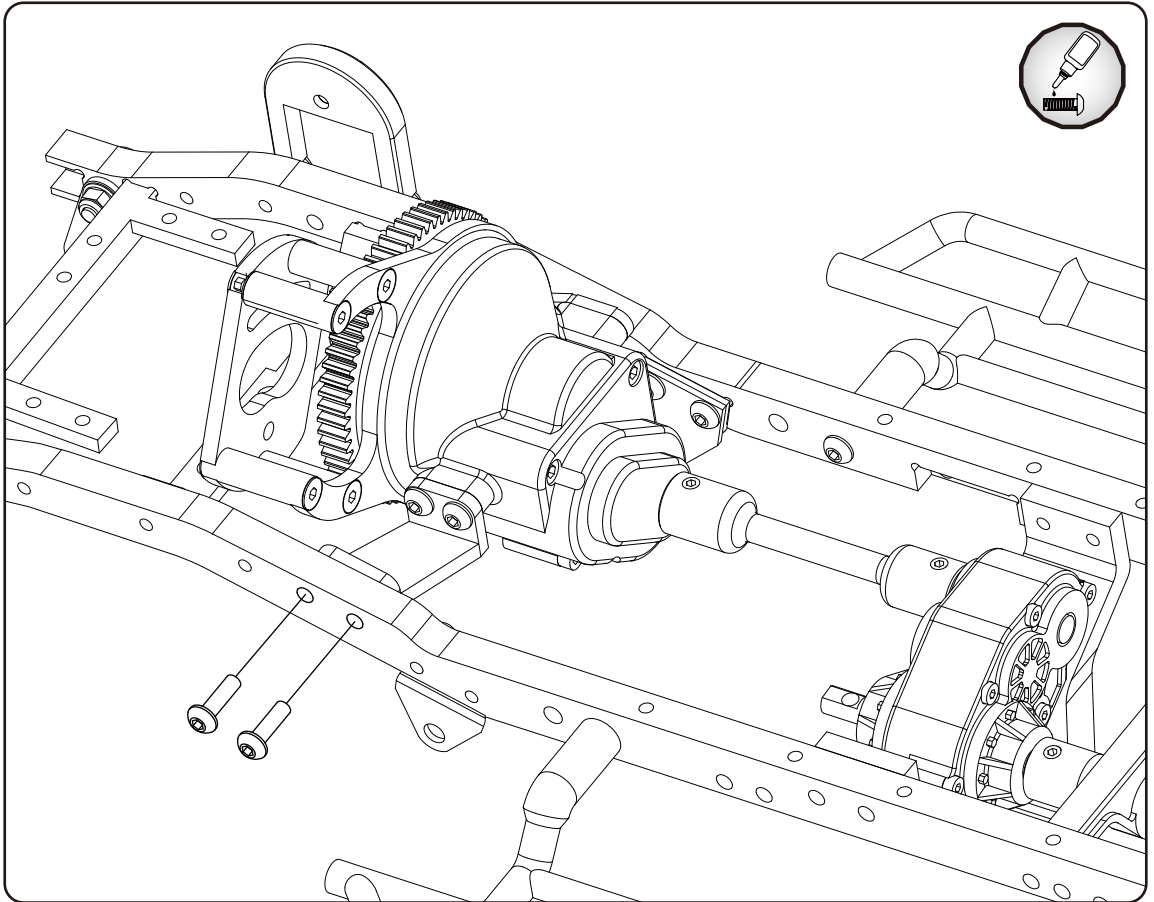
# RC4WD Step 20

 X2  
150-0258  
M3 x 12mm BHSTS





**RC4WD**  
**Step 21**

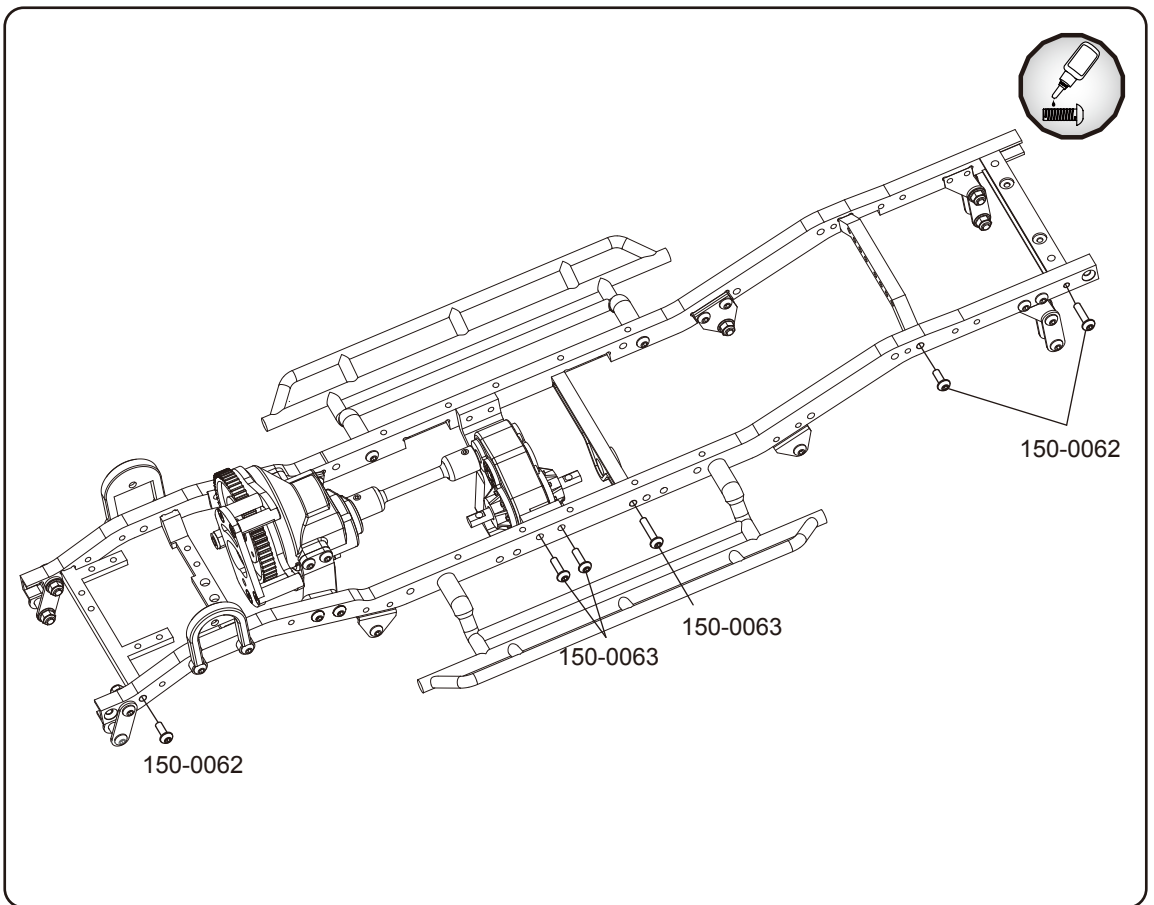
 X2  
150-0063  
M3 x 10mm BHCS




**RC4WD**  
**Step 22**


 X3  
150-0062  
M3 x 8mm BHCS

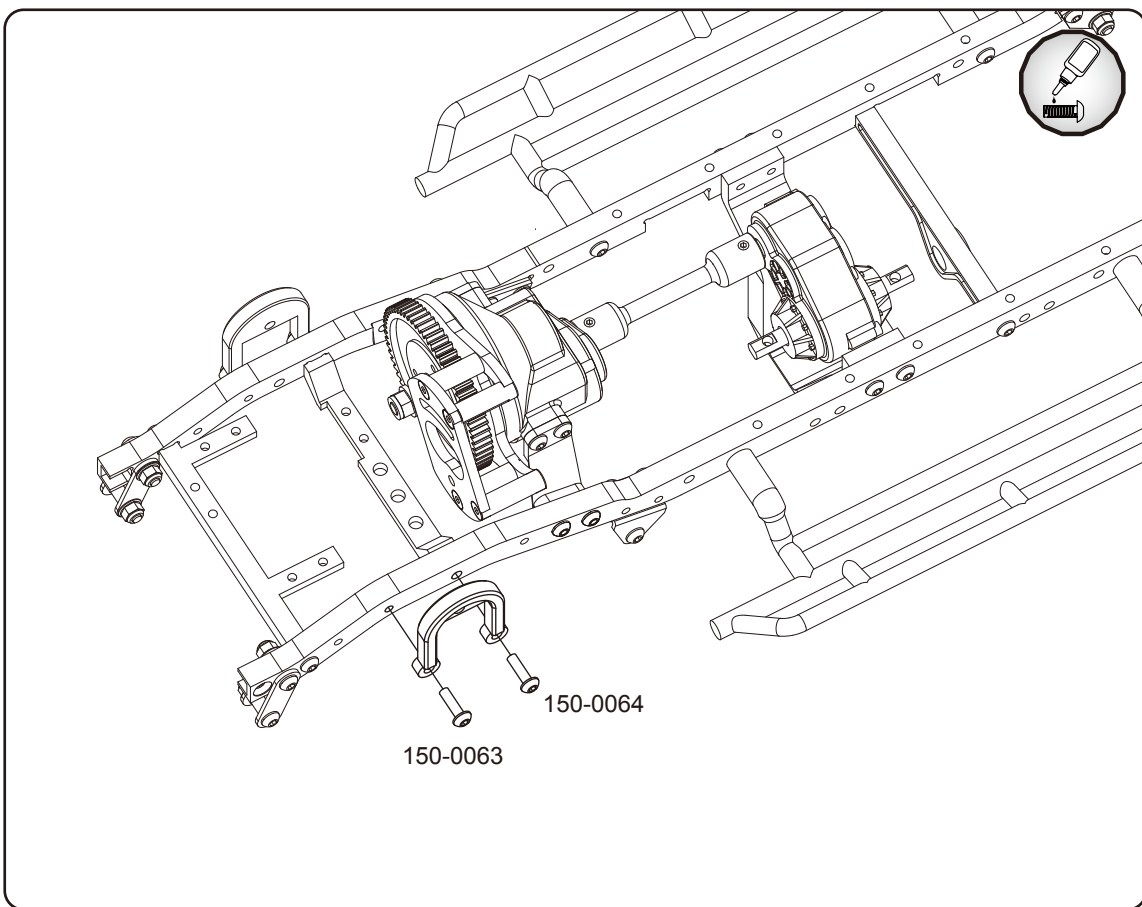
 X3  
150-0063  
M3 x 10mm BHCS



# RC4WD Step 23

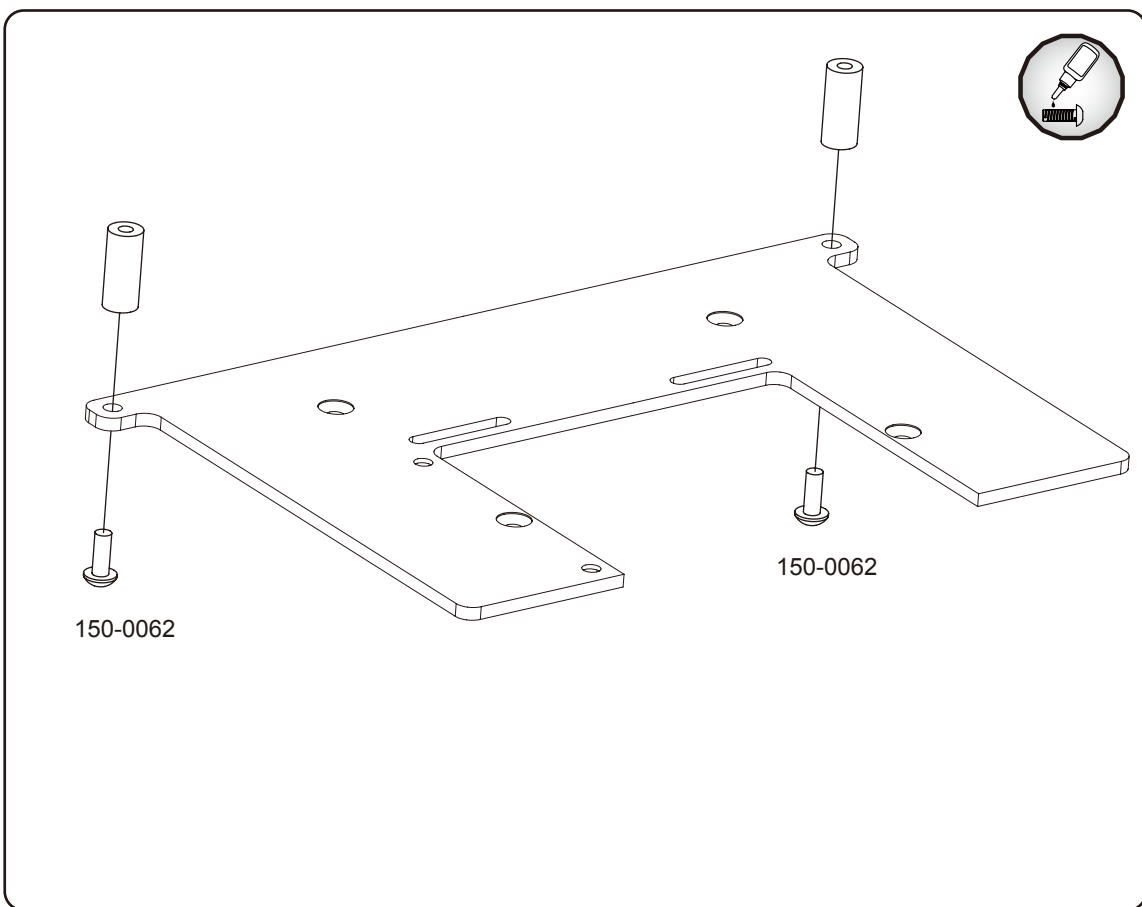
 X1  
150-0063  
M3 x 10mm BHCS

 X1  
150-0064  
M3 x 12mm BHCS



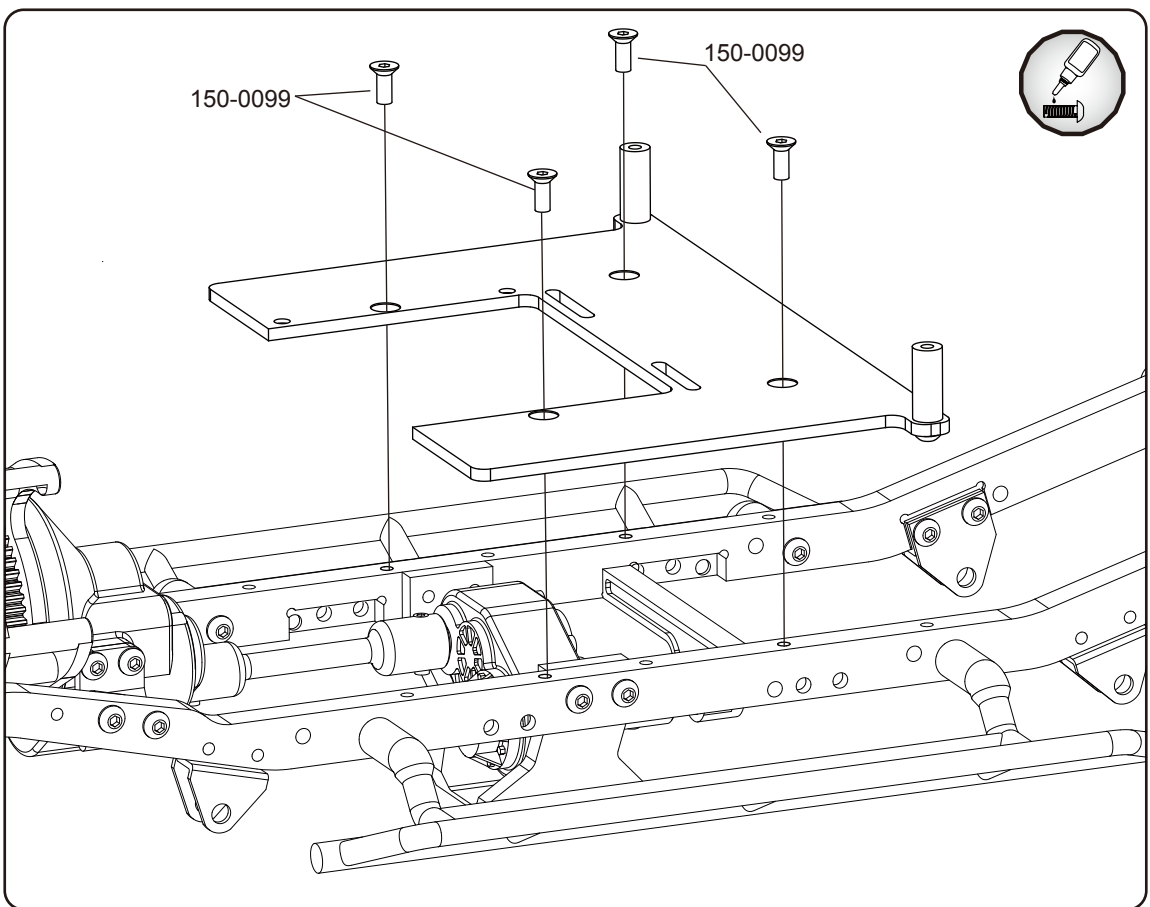
# RC4WD Step 24

 X2  
150-0062  
M3 x 8mm BHCS




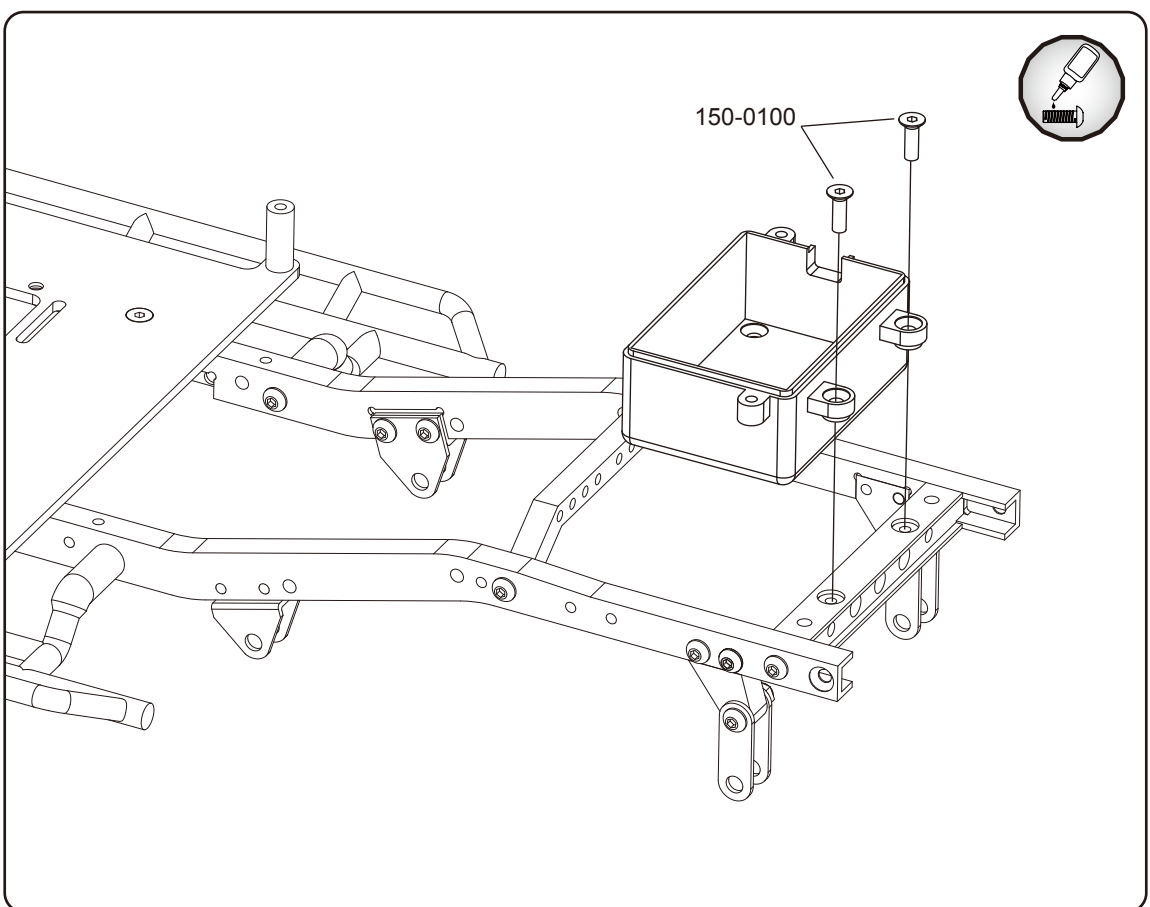
# RC4WD Step 25

 X4  
150-0099  
M3 x 6mm FHCS



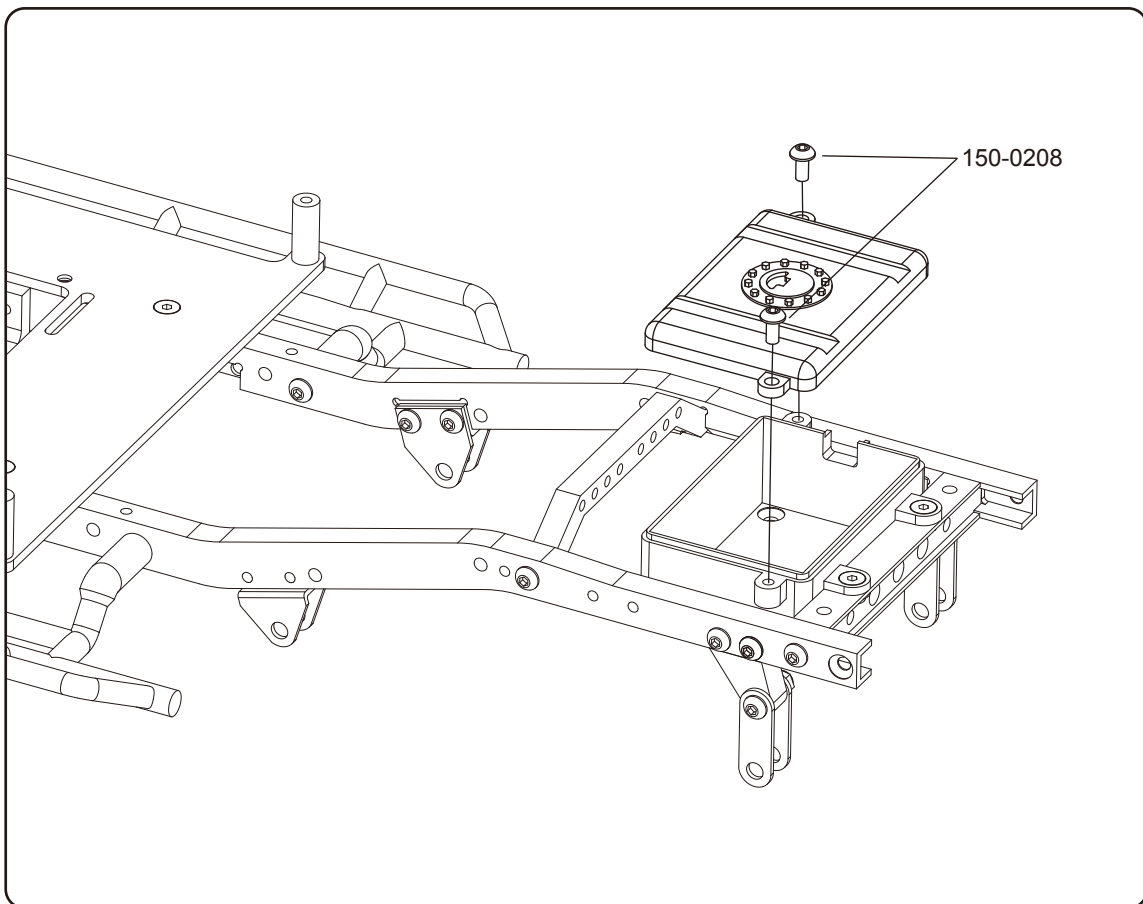
# RC4WD Step 26

 X2  
150-0100  
M3 x 8mm FHCS




# RC4WD Step 27

 X2  
150-0208  
M3 x 6mm BHSTS



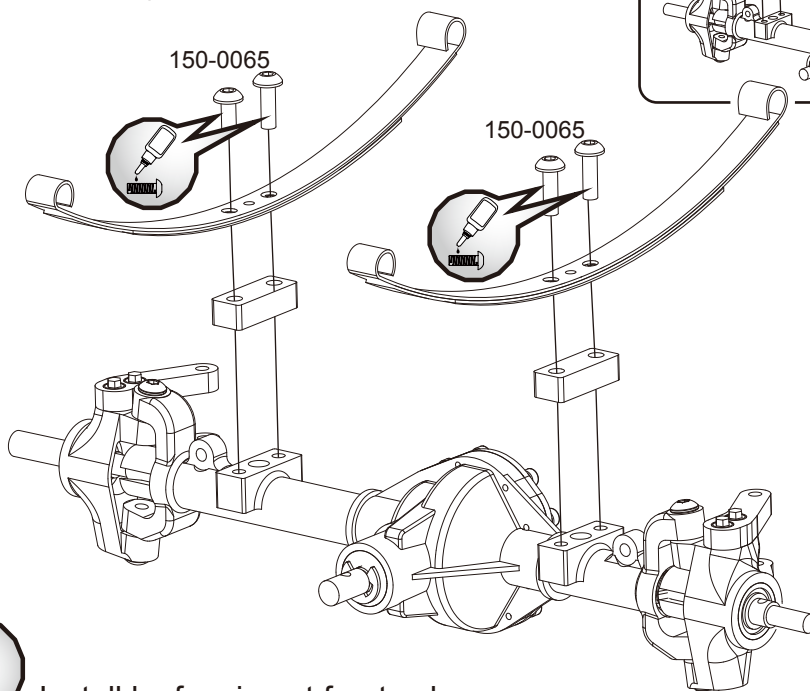
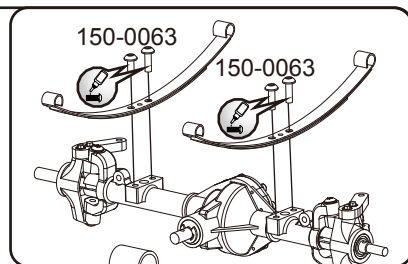
# RC4WD Step 28

 X4  
150-0065  
M3 x 14mm BHCS

 X4  
150-0063  
M3 x 10mm BHCS




For the front axle, If your build requires lift blocks use M3 x 14mm BHCS. If no lift blocks are needed use M3 x 10mm BHCS as shown in the top right corner.




Install leaf spring at front axles.



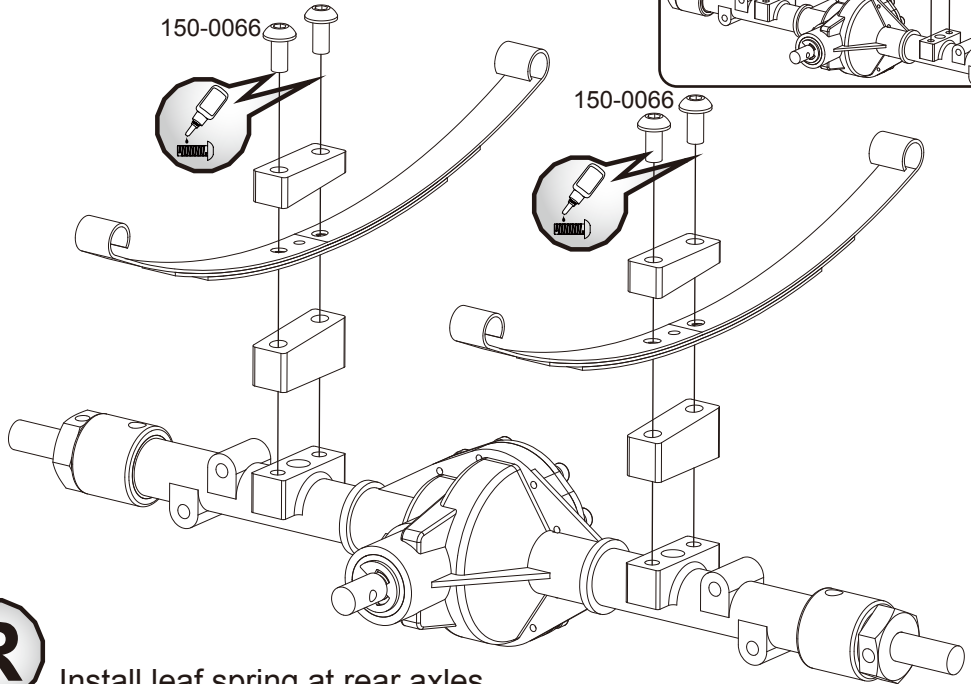
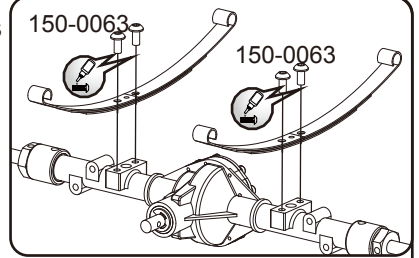
# RC4WD Step 29

 X4  
150-0066  
M3 x 16mm BHCS

 X4  
150-0063  
M3 x 10mm BHCS

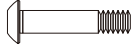



For the rear axle, If your build requires lift blocks use M3 x 16mm BHCS. If no lift blocks are needed use M3 x 10mm BHCS as shown in the top right corner.

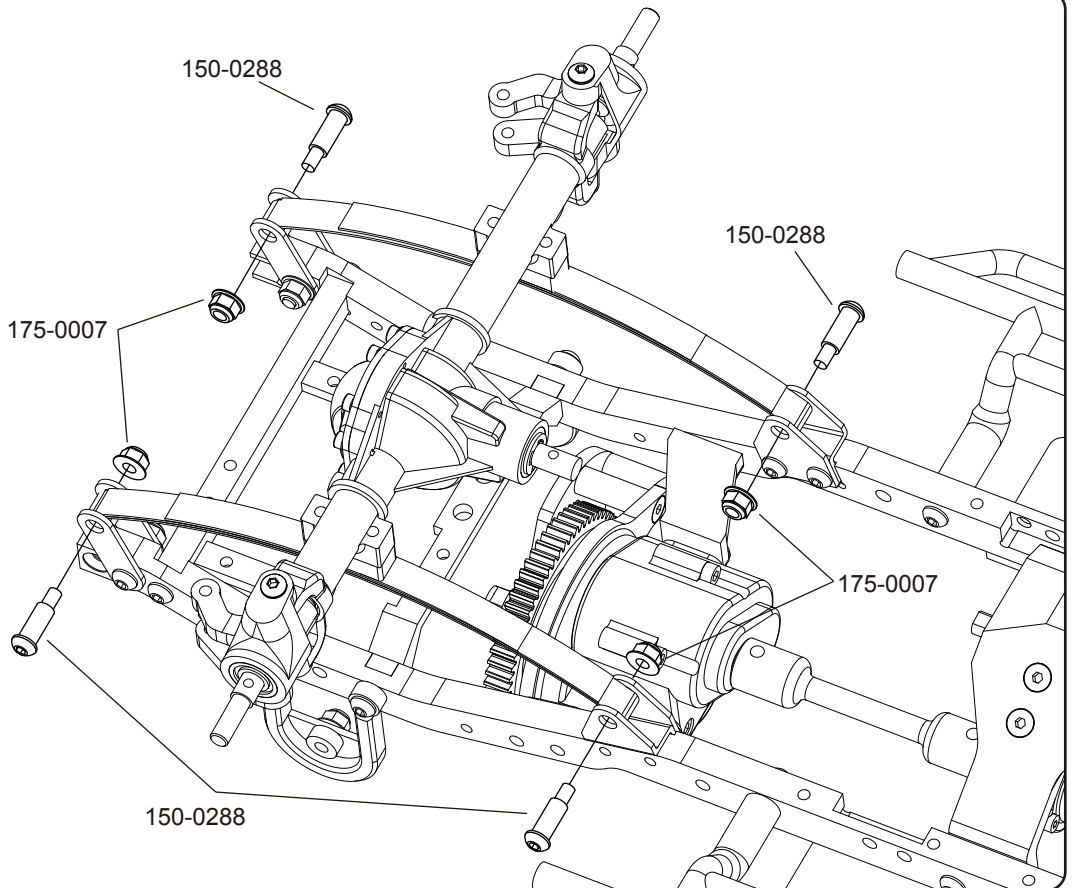


Install leaf spring at rear axles.

# RC4WD Step 30

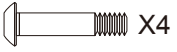
 X4  
150-0288  
M3 x 15mm  
Shoulder Screw

 X4  
175-0007  
M3 Black Lock Nut



# RC4WD

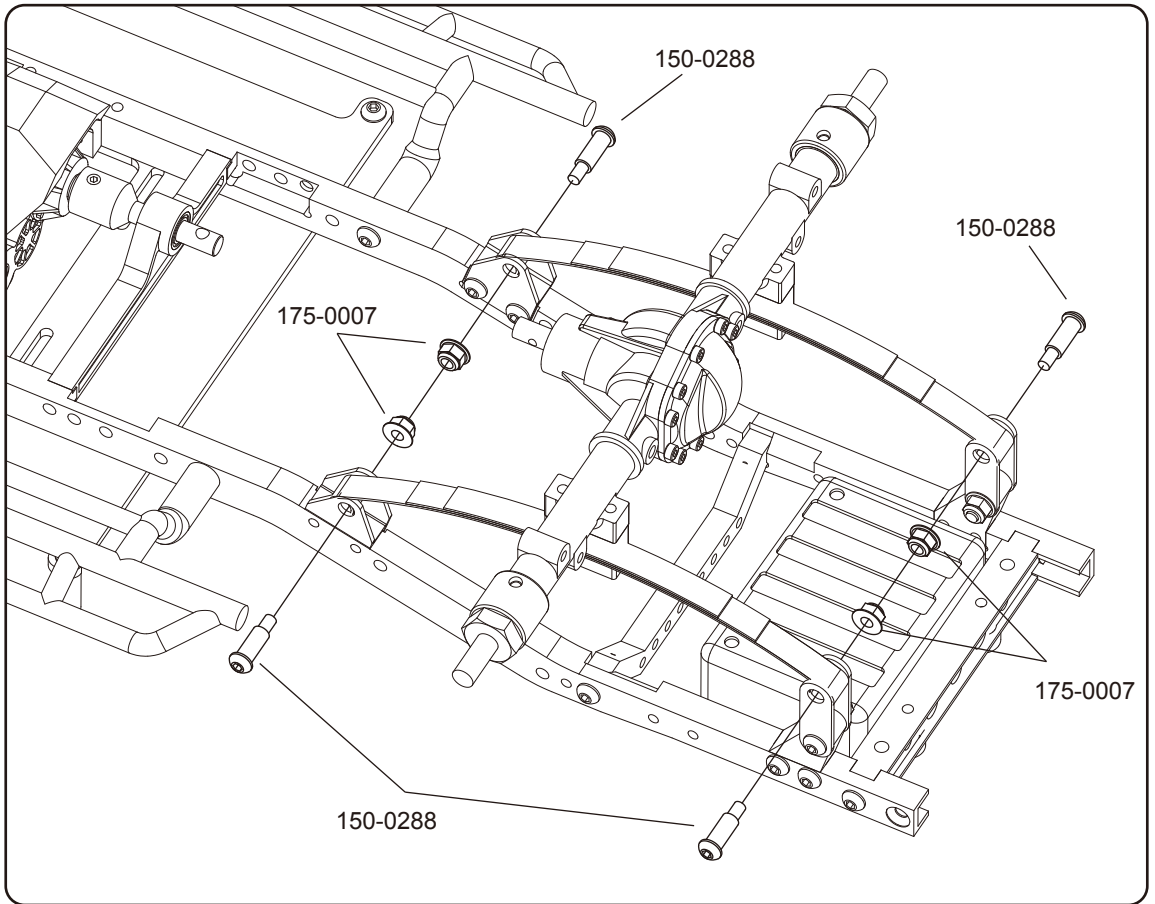
## Step 31



X4  
150-0288  
M3 x 15mm  
Shoulder Screw



X4  
175-0007  
M3 Black Lock Nut



# RC4WD

## Step 32



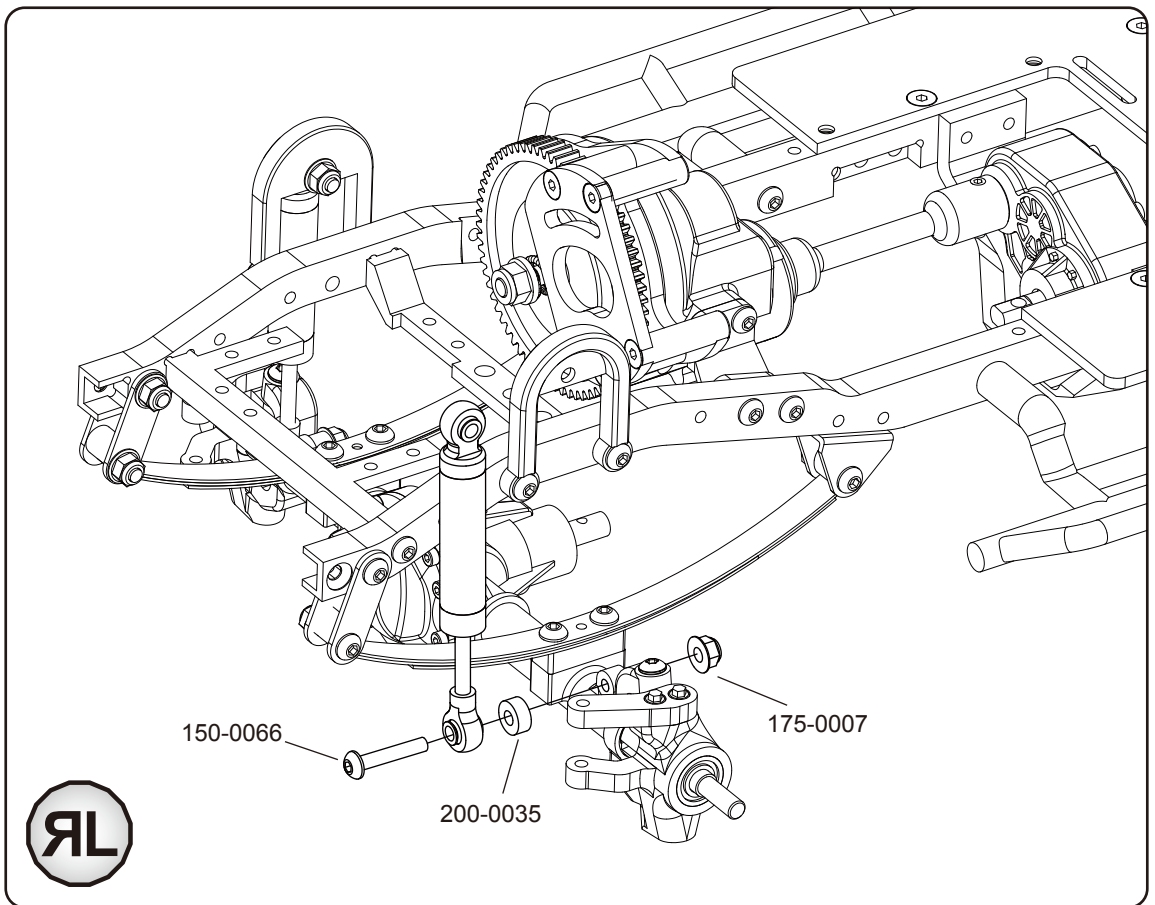
X2  
150-0066  
M3 x 16mm BHCS



X2  
175-0007  
M3 Black Lock Nut



X2  
200-0035  
M3 X 2mm Spacer





# RC4WD

## Step 33



X2

150-0066  
M3 x 16mm BHCS



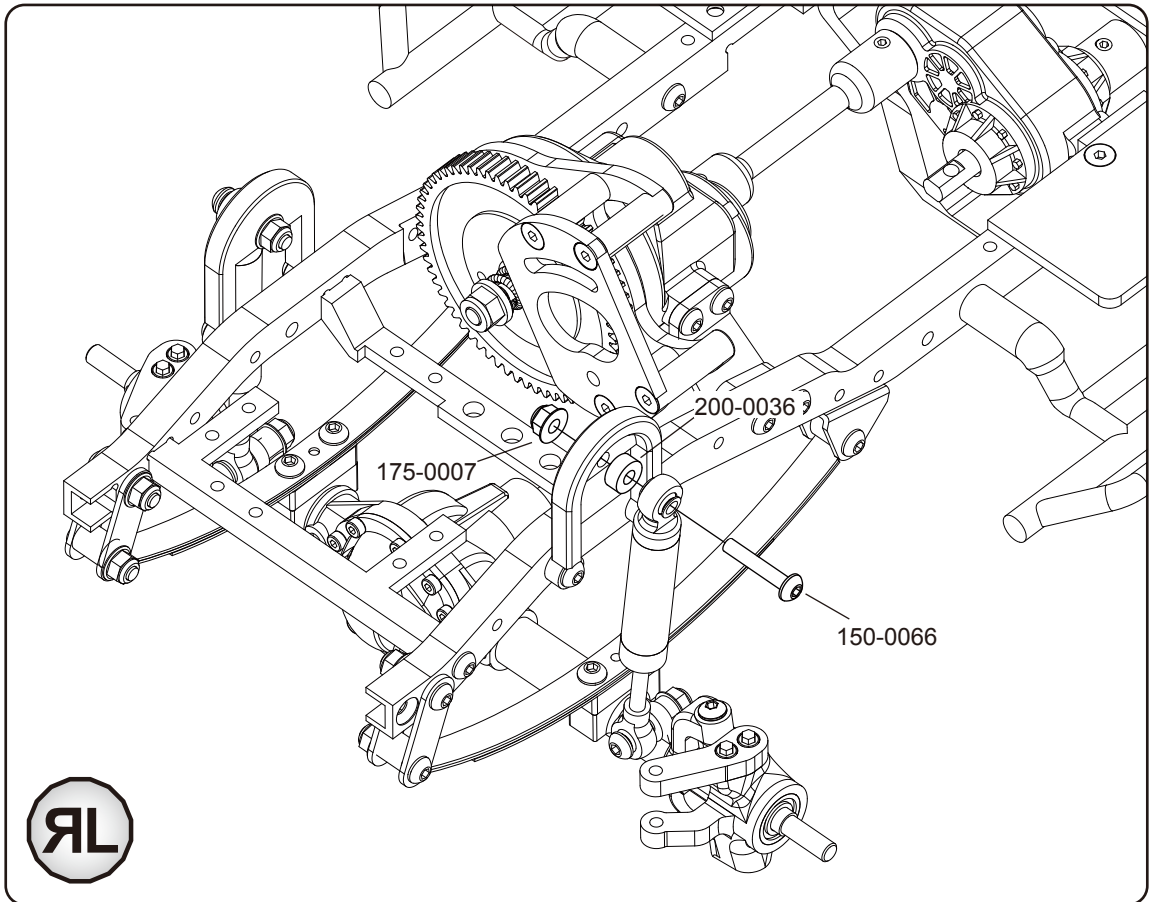
X2

175-0007  
M3 Black Lock Nut



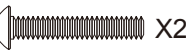
X2

200-0036  
M3 X 3mm Spacer



# RC4WD

## Step 34



X2

150-0068  
M3 x 20mm BHCS



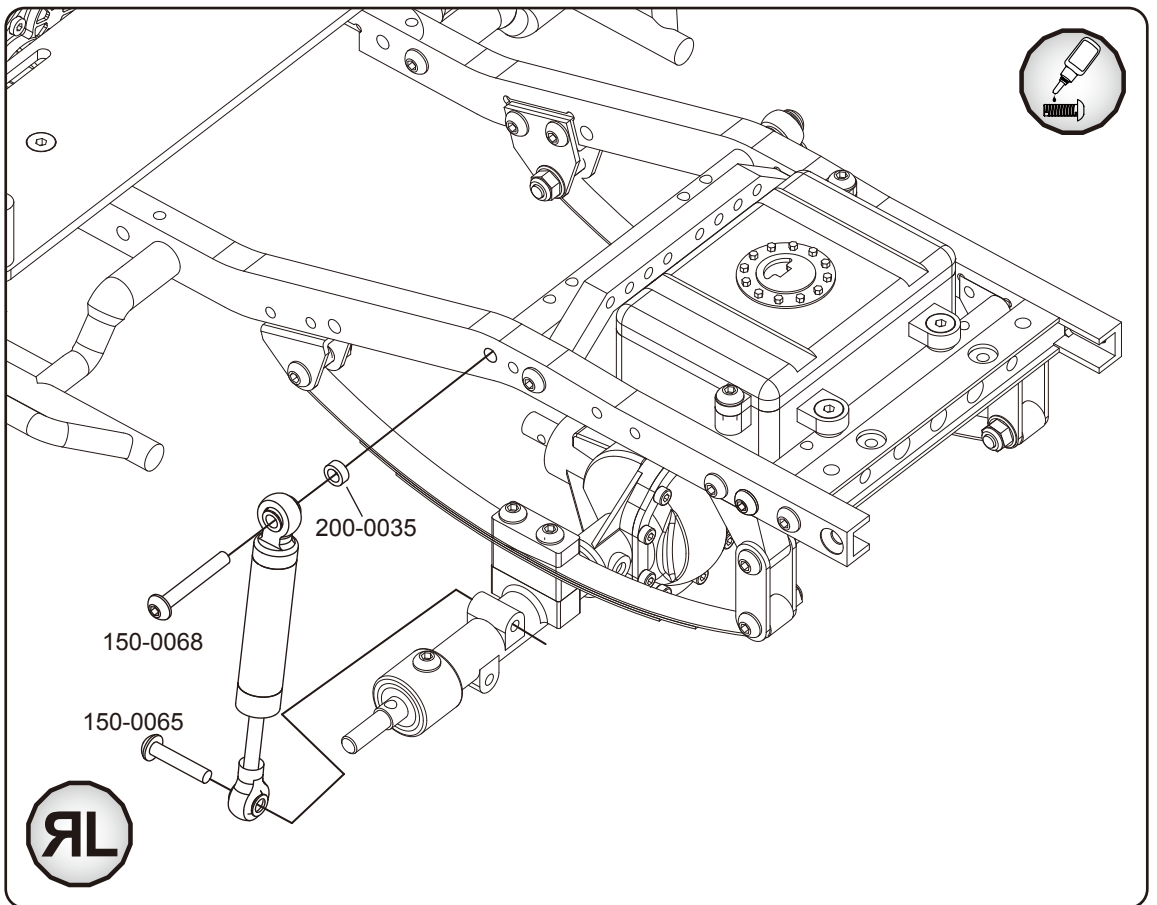
X2

150-0065  
M3 x 14mm BHCS





X2

200-0035  
M3 X 2mm Spacer



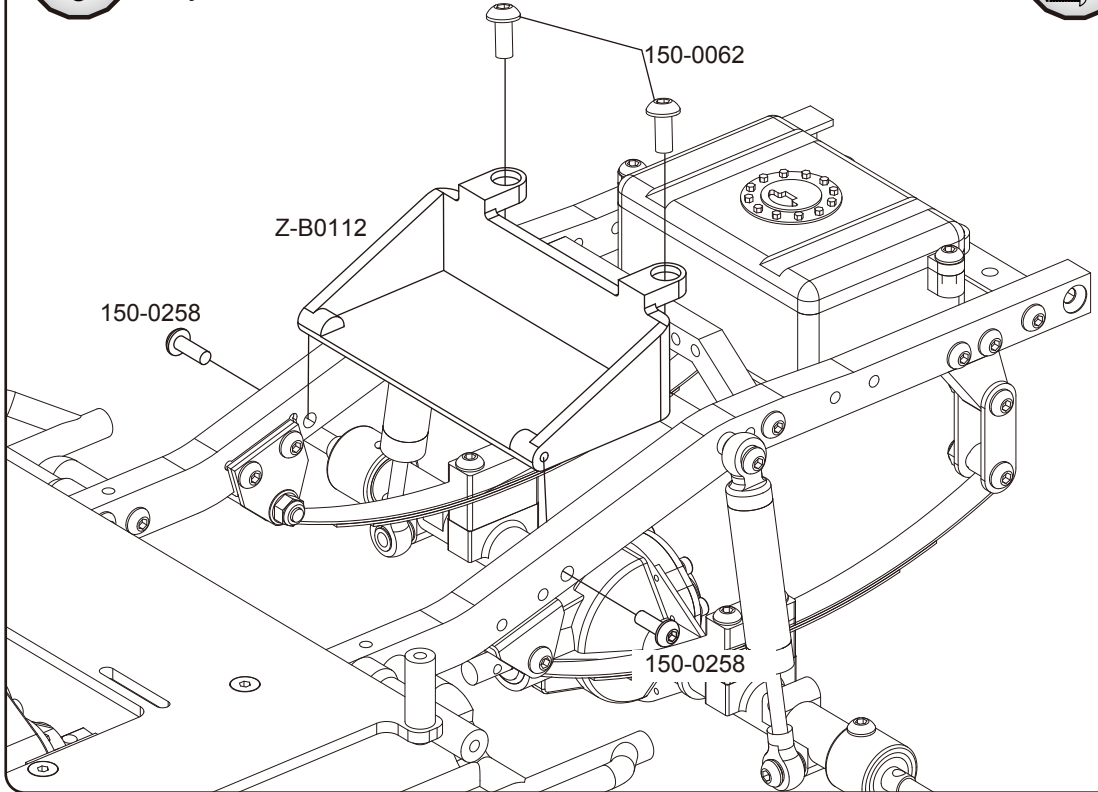
# RC4WD Step 35

 X2  
150-0062  
M3 x 8mm BHCS

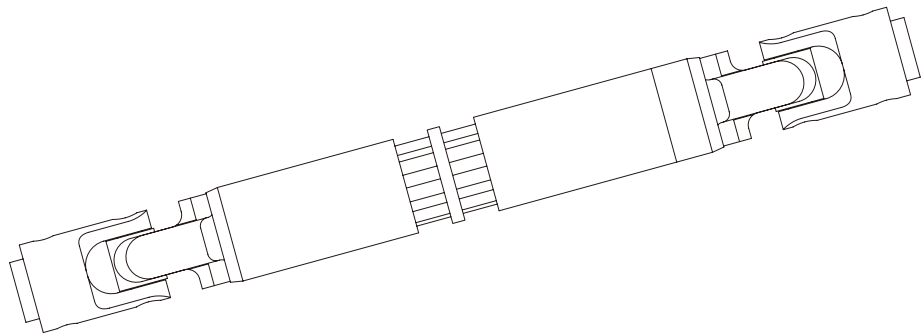
 X2  
150-0258  
M3 x 12mm BHSTS



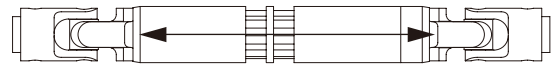
Part Z-B0112 is not included in this set. The following is only a demonstration for installation.



# RC4WD Step 36




CORRECT ALIGNMENT

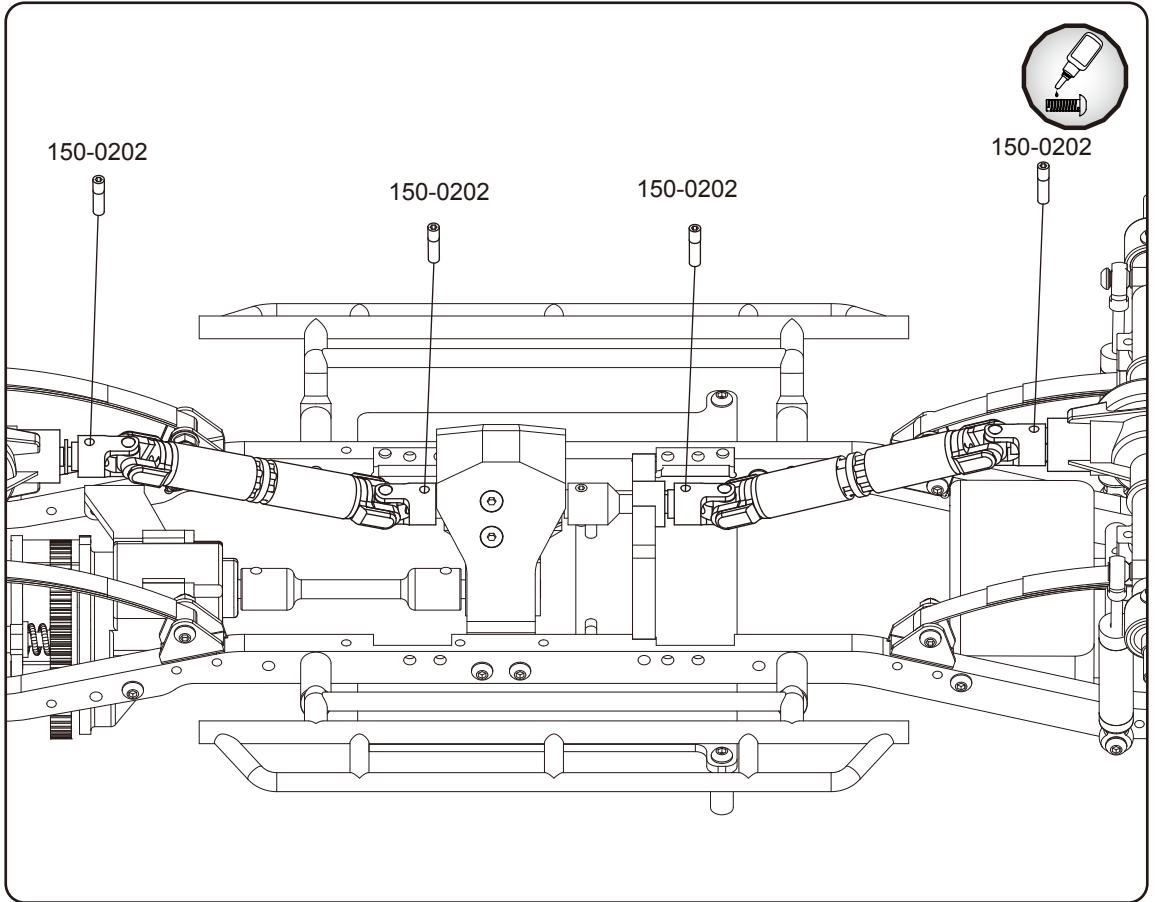


INCORRECT ALIGNMENT



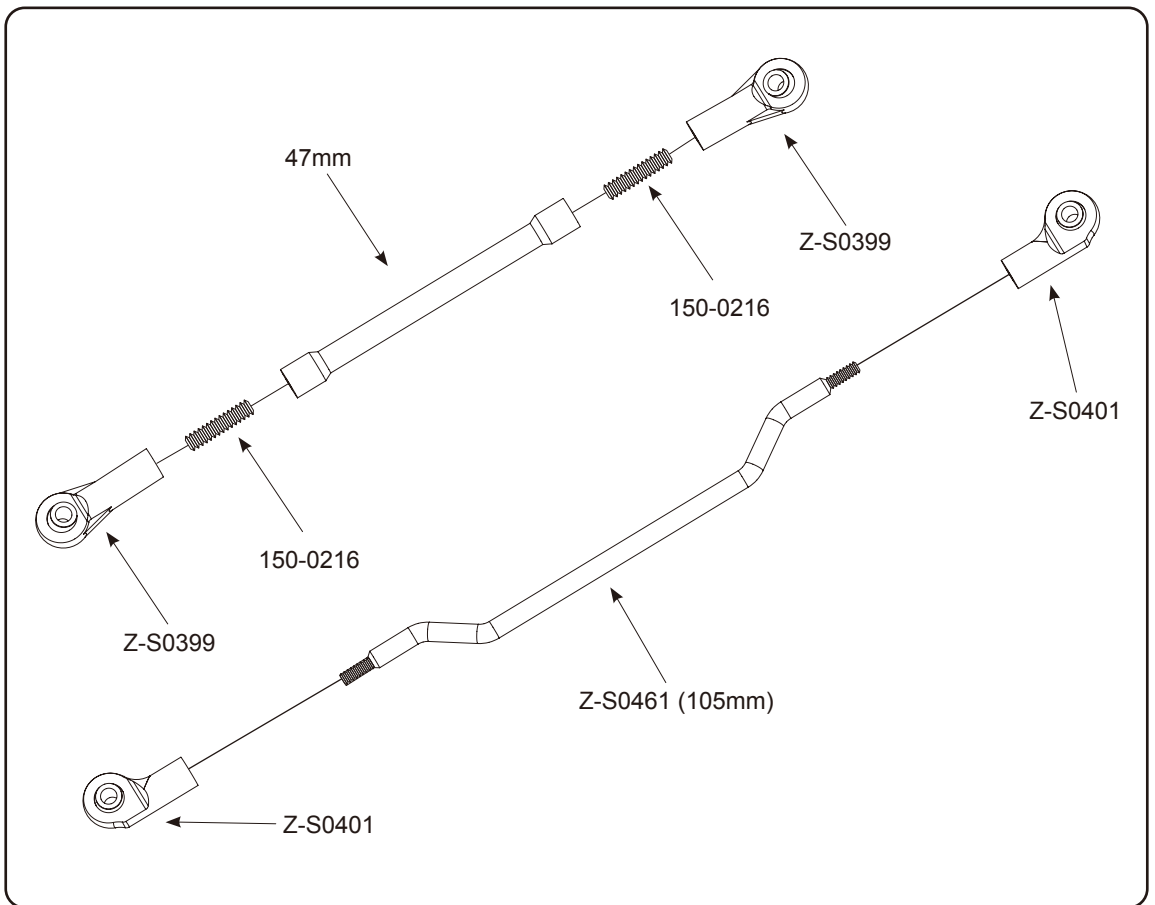
# RC4WD Step 37

 X4  
150-0202  
M3 Drive Shaft Pin



# RC4WD Step 38

 X2  
150-0216  
M3 x 15mm  
Set Screw



## RC4WD Step 39



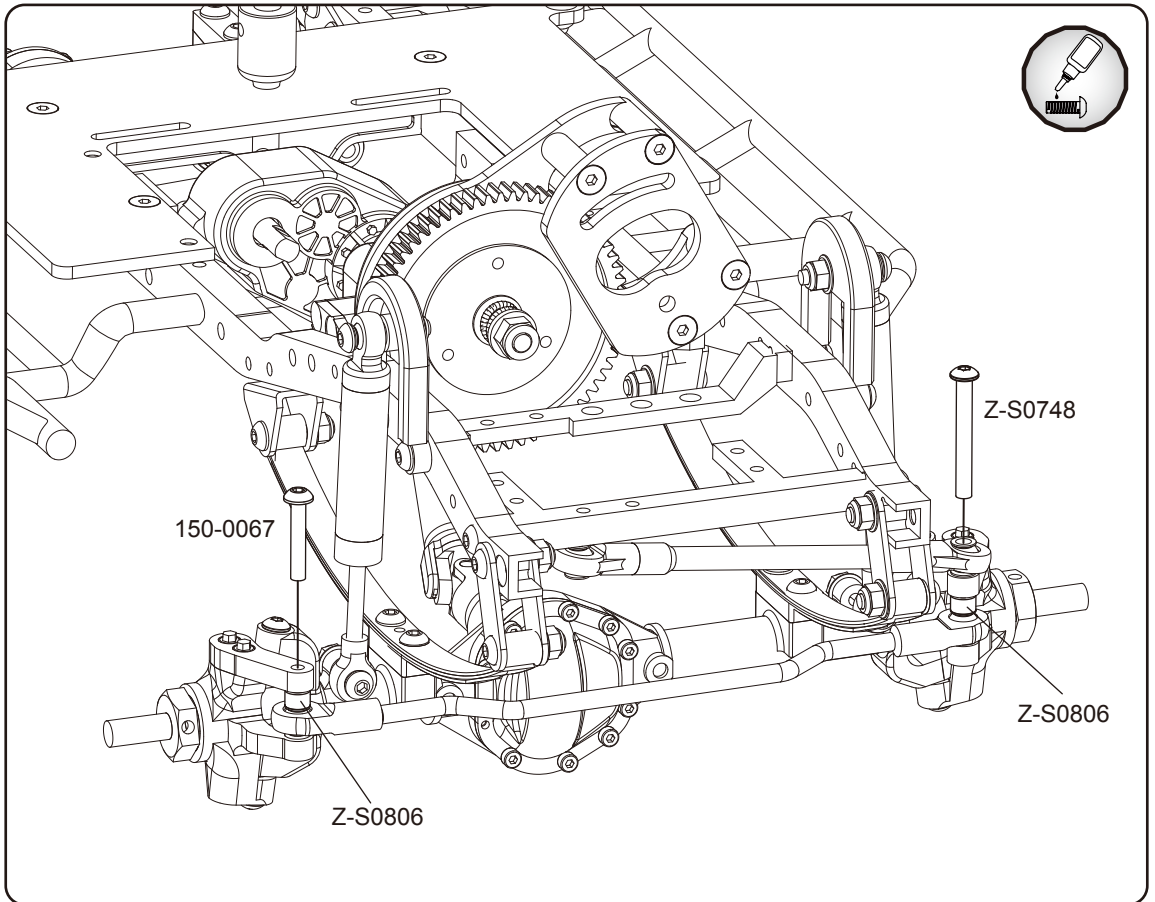
X1  
150-0067  
M3 x 18mm BHCS



X1  
Z-S0748  
M3 x 25mm BHCS



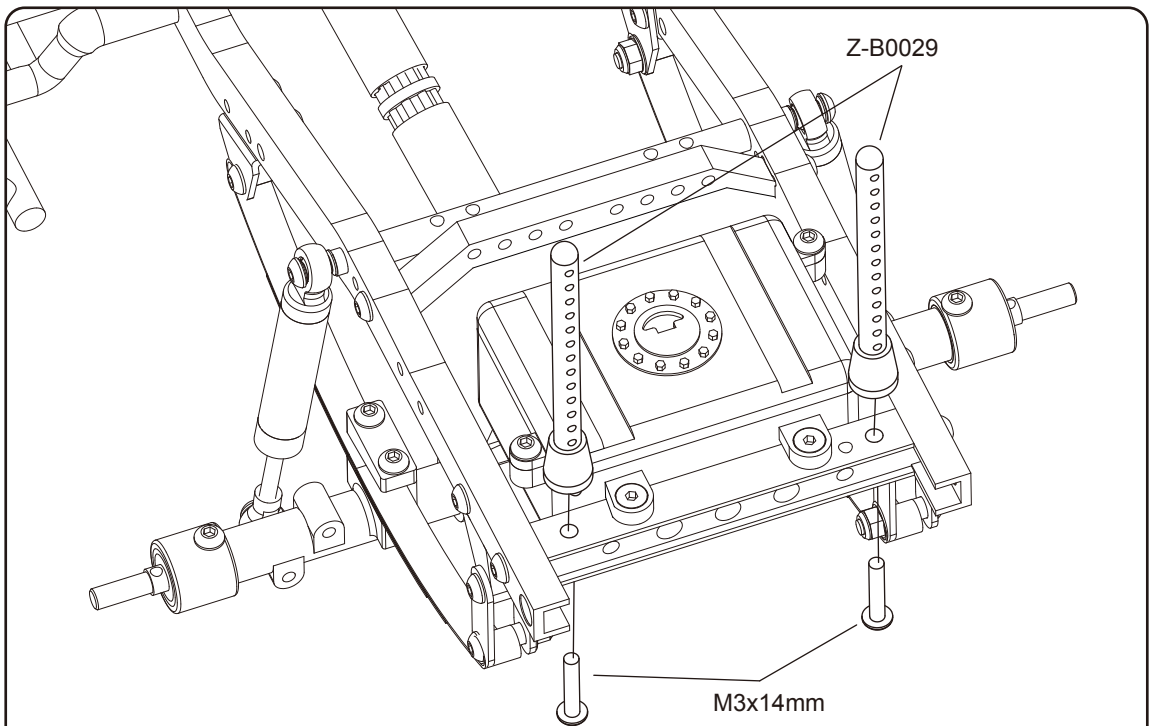
X2  
Z-S0806  
M3 X 3mm Spacer



## RC4WD Step 40



X2  
M3 x 14mm  
BHSTS

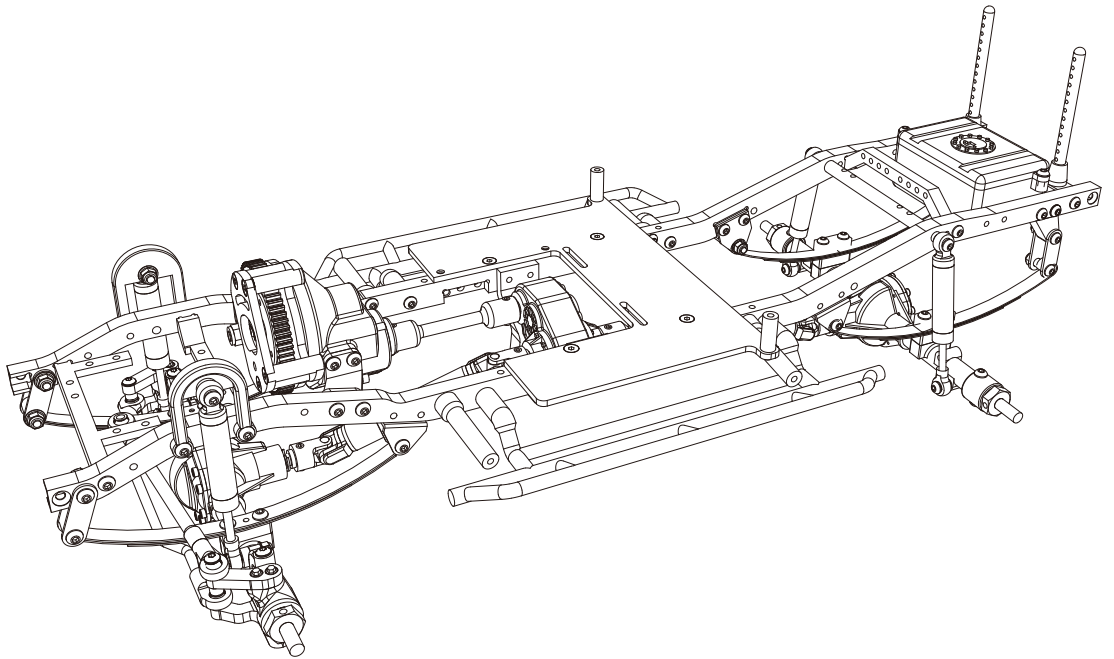


Z-B0029 is included in this set, you can choose whether to assemble it according to your needs. It's compatible with the RC4WD Chevrolet K10 Scottsdale Hard Body Complete Set and Mojave II Four Door Body Set.


**RC4WD**  
**Step 41**

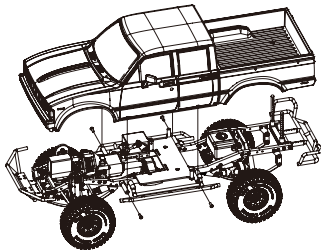


Assembly completed. This LWB chassis kit is not specific to any particular body; it's designed for versatility with any body compatible with the LWB Trail Finder 2 Chassis.

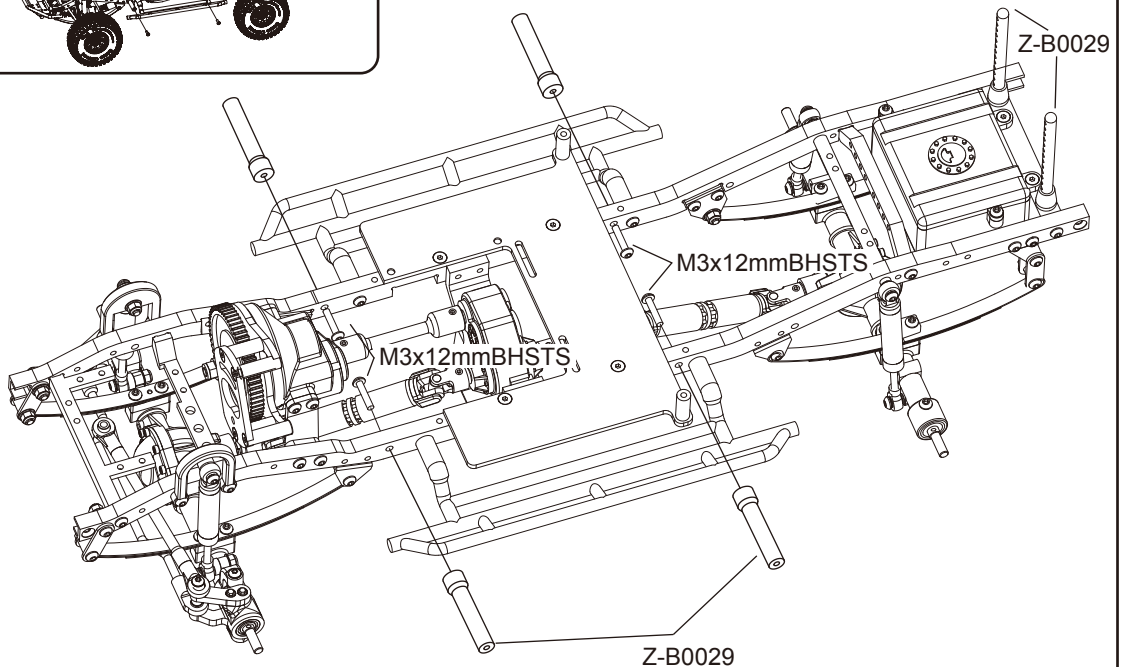


**RC4WD**  
**Step 42**

 X4  
150-0258  
M3 x 12mm BHSTS




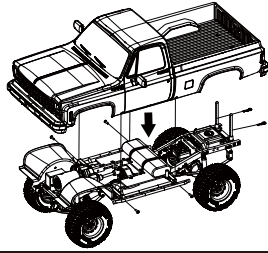
Compatible with Mojave II Four Door Body Set. Z-B0029 is included in this set. Long Rear Body Posts do not need to be installed, but it is recommended to install them.



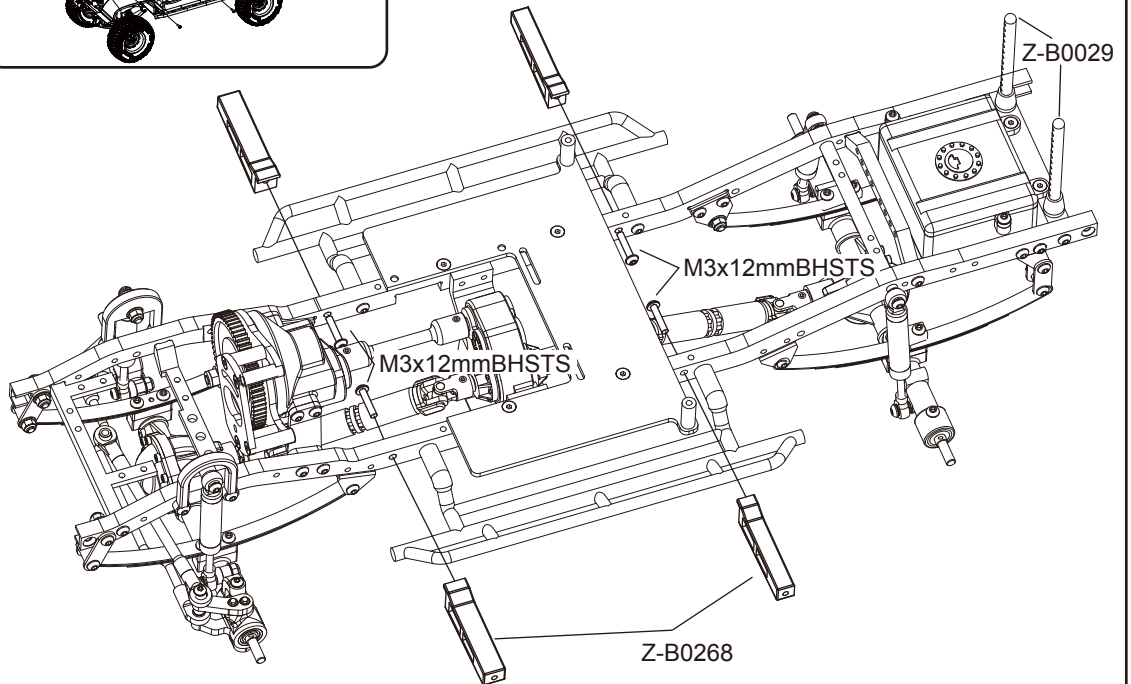


## RC4WD Step 43

 X4  
150-0258  
M3 x 12mm BHSTS

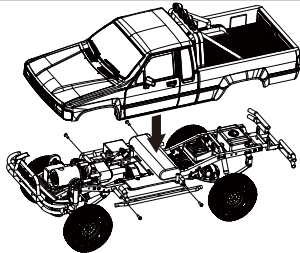


Compatible with RC4WD Chevrolet K10 Scottsdale Hard Body Complete Set. Z-B0029 is included in this set. Long Rear Body Posts do not need to be installed, but it is recommended to install them.

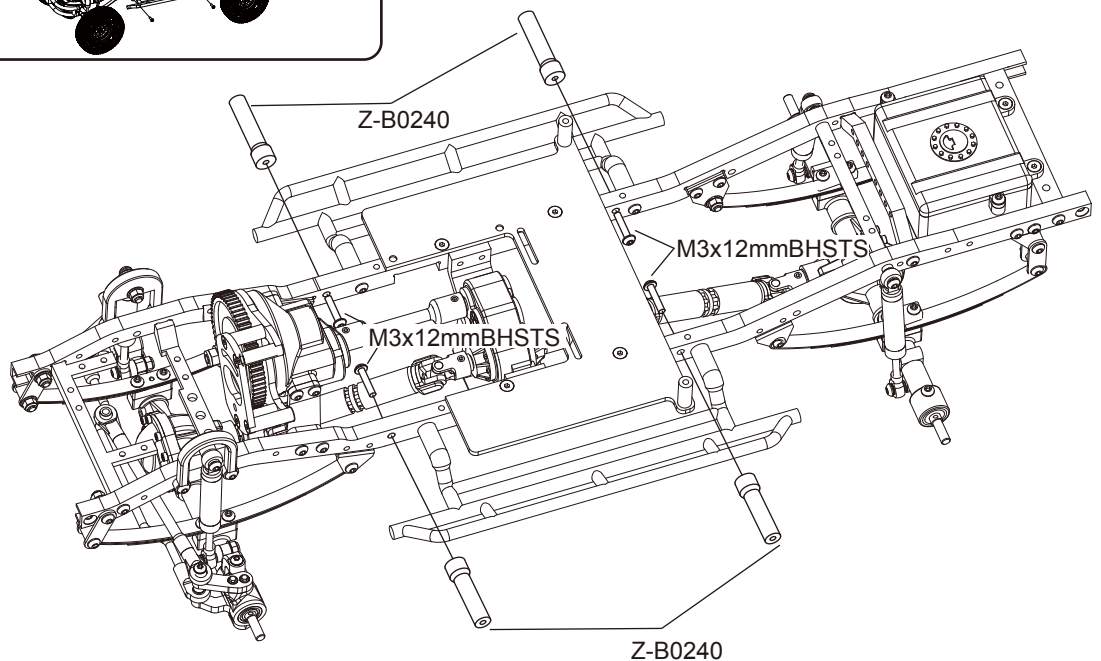


## RC4WD Step 44

 X4  
150-0258  
M3 x 12mm BHSTS



Compatible with 1987 Toyota XtraCab Hard Body Set.



## REPLACEMENT PARTS

Piezas de repuesto / Pièces de rechange / Ersatzteile

Z-A0096 K44 Ultimate Scale Cast Rear Axle  
Z-A0101 K44 Ultimate Scale Cast Front Axle  
Z-B0029 Trail Finder 2 Plastic Body Posts  
Z-C0053 Trail Finder 2 "LWB" Chassis Set  
Z-D0045 Super Scale 70mm White Shocks with Internal Springs  
Z-S0047 Leaf Spring Shackles & Mounts Kit  
Z-S0399 M3 Medium Straight Plastic Rod End (20x)  
Z-S0401 M3 Offset Short Plastic Rod End (20x)  
Z-S0461 RC4WD 105mm Hardened Steering Link V2  
Z-S0552 Heavy Duty Nylon Strap Lock (5)  
Z-S0592 Fuel Cell Radio Box  
Z-S1730 RC4WD Marlin Crawler Side Plastic Sliders for TF2 LWB  
Z-S1815 Super Soft Flex Leaf Springs for TF2 (4)  
Z-S2020 RC4WD Plastic Punisher Shaft V2 (102mm-110mm / 4.02" - 4.33") 5mm Hole  
Z-U0024 Hammer Transfer Case (1.47/1)  
Z-U0028 R3 Scale Single Speed Transmission



## OPTIONAL PARTS

Partes opcionales / Pièces en option / Optionale teile

Z-A0058	Yota Ultimate Scale Cast Axle (Front)
Z-A0061	Yota Ultimate Scale Cast Straight Axle (Rear)
Z-A0080	Yota II Ultimate Scale Cast Axle (Front)
Z-A0081	Yota II Ultimate Scale Cast Axle (Rear)
Z-B0119	Mojave II Four Door Complete Body Set
Z-B0206	RC4WD Mojave II Four Door Complete Body Set (Tan)
Z-B0216	RC4WD 1987 Toyota XtraCab Hard Body Complete Set
Z-D0004	The Ultimate Scale Shocks 70mm (Silver)
Z-D0034	RC4WD 70mm Old Man Emu Nitrocharger Sport Shocks by ARB
Z-D0037	RC4WD King Off-Road Scale Dual Spring Shocks (70mm)
Z-D0083	RC4WD Bilstein SZ Series 70mm Scale Shock Absorbers
Z-E0001	540 Crawler Brushed Motor 80T
Z-E0002	540 Crawler Brushed Motor 65T
Z-E0003	540 Crawler Brushed Motor 55T
Z-E0004	540 Crawler Brushed Motor 45T
Z-E0005	540 Crawler Brushed Motor 35T
Z-E0035	Twister High Torque Metal Gear Digital Servo
Z-E0041	RC4WD Brushed 45T Boost Rebuildable Crawler 540 Motor
Z-E0045	RC4WD Brushed 35T Boost Rebuildable Crawler 540 Motor
Z-E0065	540 Crawler Brushed Motor 20T
Z-E0067	540 Crawler Brushed Motor 27T
Z-E0113	Outcry III Waterproof ESC
Z-E0118	Outcry Extreme Speed Controller ESC w/ Program Card
Z-E0125	Twister Extreme Hi-Voltage Coreless Metal Gear Digital Waterproof Servo
Z-G0048	60t Delrin Spur Gear for AX2 2 Speed Transmission
Z-G0059	Helical Gear Set for 1/10 Yota and K44 Axles
Z-R0006	XR4 4-Channel 2.4Ghz Transmitter/Receiver Radio
Z-R0009	XR3 3-Channel 2.4Ghz Transmitter/Receiver Radio
Z-S0003	#3 Aluminum Bumper Mount For Trail Finder 2
Z-S0004	#2 Aluminum Bumper Mount for Trail Finder 2
Z-S0006	#1 Aluminum Bumper Mount For Trail Finder 2
Z-S0028	Superlift Dual Front Shock Mount for Trail Finder 2
Z-S0196	Scale Aisin/Yota Style Hubs
Z-S0518	Soft Steel Leaf Springs for Trail Finder 2
Z-S0565	3 Link Kit For Trail Finder 2 Front Axle w/Panhard Setup
Z-S0570	Red Super Soft Flex Leaf Springs (4)
Z-S0603	4 Link Kit For Trail Finder 2 Rear Axle
Z-S0822	Heavy Duty Metal Servo Arm 25t Futaba
Z-S1089	RC4WD Wired Winch Control Unit
Z-S1093	RC4WD Billet Aluminum Fuel Cell Radio Box (Black)
Z-S1122	RC4WD Billet Aluminum Fuel Cell Radio Box (Red)
Z-S1264	Universal Front Bumper Mount for Trail Finder 2
Z-S1345	70mm Ultimate Scale Shocks Internal Spring Assortment
Z-S1476	Super Scale Steel Leaf Springs for TF2 & Tamiya Bruiser (2)
Z-S1571	RC4WD 1/10 Mini Warn 9.5cti Winch
Z-S1587	RC4WD Teraflex Revolver Z-Box for Trail Finder, F-350, Hilux, Tundra
Z-S1594	RC4WD Teraflex Revolver Shackle
Z-S1825	RC4WD 12mm Hex Wheel Widener Set (+7mm)
Z-S1839	RC4WD ARB Diff Cover for K44 Cast Axle
Z-S1847	RC4WD Poison Spyder Bombshell Diff Cover for Cast K44 Axle
Z-S1869	Mojave Body Lift Kit for Trail Finder 2 LWB
Z-S1882	Trail Finder 2 Aluminum Side Body Posts
Z-S2135	Leaf Under Mounts for Yota 2 / K44 Axles





## OPTIONAL PARTS

Partes opcionales / Pièces en option / Optionale teile

Z-T0051	Mud Thrashers 1.9" Scale Tires
Z-T0107	RC4WD BFGoodrich All Terrain K02 1.7" Scale Tires
Z-T0152	Scrambler Offroad 1.55" Scale Tires
Z-T0177	RC4WD Goodyear Wrangler Duratrac 1.55" 4.19" Scale Tires
Z-T0179	RC4WD Falken Wildpeak M/T 1.7" Tires
Z-T0189	RC4WD BFGoodrich Krawler T/A KX 1.7" Scale Tires
Z-T0190	RC4WD BFGoodrich Mud Terrain T/A KM2 1.55" Scale Tires
Z-T0191	RC4WD BFGoodrich Mud Terrain T/A KM3 1.7" Tires
Z-T0192	RC4WD BFGoodrich Mud Terrain T/A KM3 1.9" Tires
Z-T0225	RC4WD BFGoodrich Mud Terrain KM 1.9" Scale Tires
Z-U0037	RC4WD Advance Adapters Atlas II Transfer Case (1.47/1)
Z-W0014	RC4WD Centerline 1.55" Scorpion Deep Dish Wheels
Z-W0041	RC4WD XD 1.7" XD849 Grenade 2 Deep Dish Beadlock Wheels
Z-W0086	RC4WD Warn 1.7" Epic Jack Hammer Wheels
Z-W0118	RC4WD Ballistic Off Road Morax 1.7" Beadlock Wheels
Z-W0122	RC4WD Enforcer 1.9" Beadlock Wheels
Z-W0200	RC4WD Fuel Off-Road Maverick 1.9" Beadlock Wheels
Z-W0266	RC4WD Benchmark 1.7" Beadlock Wheels
Z-W0273	Breaker 1.55" Beadlock Wheels
Z-W0274	RC4WD 1911 1.9" Beadlock Wheels
Z-W0292	RC4WD Raceline Combat 1.55" Beadlock Wheels
Z-W0333	RC4WD Fuel Off-Road 1.55" Zephyr Beadlock Wheels (Gunmetal)





[www.rc4wd.com](http://www.rc4wd.com)



**RC4WD**

737 N. Gateway St.  
Visalia, CA 93291

Web: [www.rc4wd.com](http://www.rc4wd.com) - Email: [support@rc4wd.com](mailto:support@rc4wd.com)

100-0130